

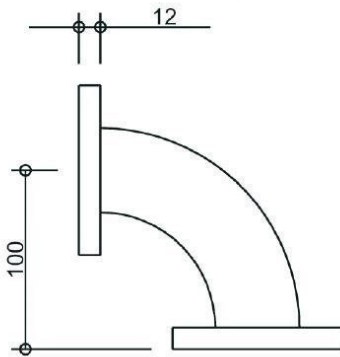
# E-BEND - MW3001A-260ED

Categories: Waveguide components

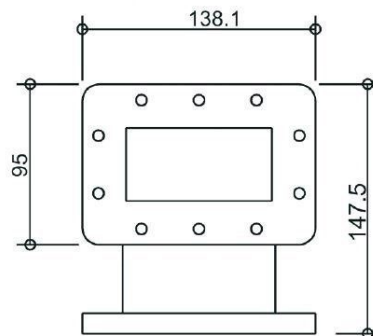


## BILDERGALERIE

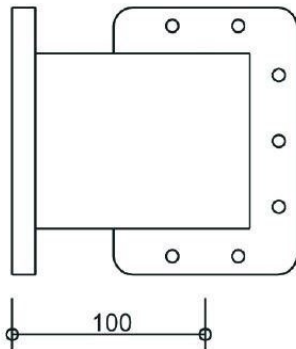
Outline Dimensions (mm(inch))



Outline Dimensions (mm(inch))



Outline Dimensions (mm(inch))



## ADDITIONAL INFORMATION

<b>Frequency [MHz]</b>	2450
<b>Output Power [W]</b>	30000
<b>Waveguide size</b>	WR340 / R26
<b>Flange</b>	PDR
<b>Product group</b>	Waveguide