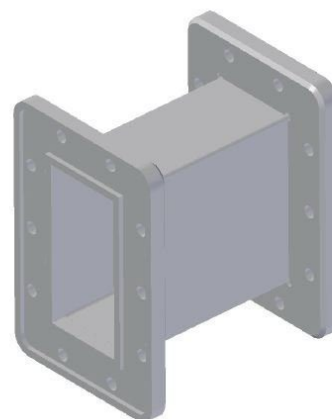


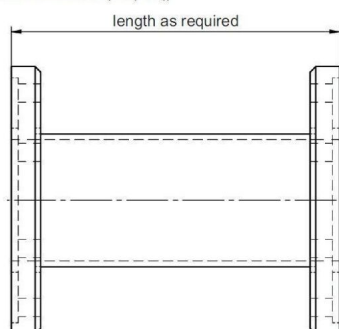
HOHLEITER DISTANZSTÜCK - MW3001E-230ED

Categories: Waveguide components

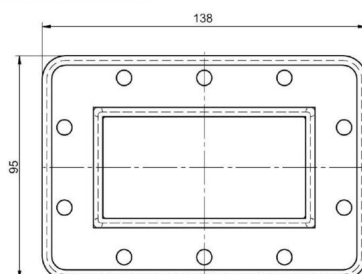


BILDERGALERIE

Outline Dimensions (mm(inch))



Outline Dimensions (mm(inch))



ADDITIONAL INFORMATION

Frequency [MHz]	2450
Output Power [W]	30000
Waveguide size	WR340 / R26
Flange	PDR
Product group	Waveguide