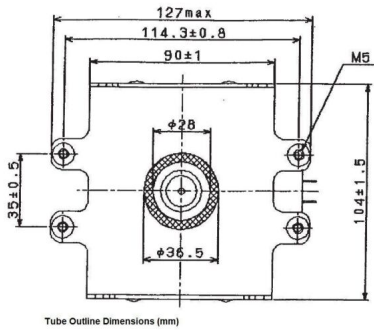
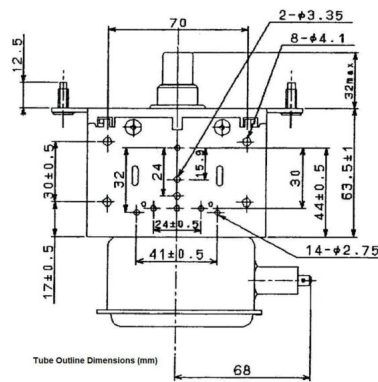
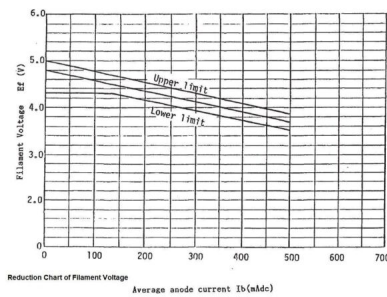


MAGNETRON - 1200006

Categories: Magnetrons



BILDERGALERIE



ADDITIONAL INFORMATION

Typ	Magnetron
OEM Item Number	2M121A-53
Output Power CW [W]	1450
Frequency [MHz]	2450
ISM Band	S-Band
Cooling	air-cooled
Orientation of HV and cooling connectors	0°
Fastening / Studs	4x M5 Bolt (Studs)
Orientation HV to fastening	0°
Magnet	Packaged magnet
Cooling Connector Type	-
Temperature sensor	-
Equivalent to	NL10254