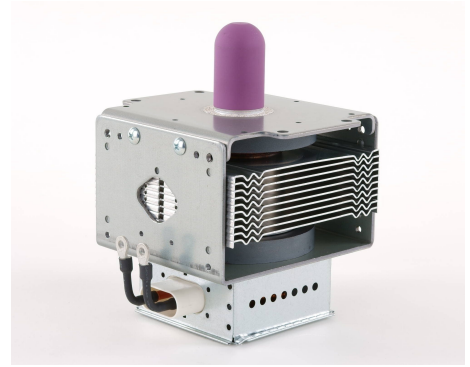
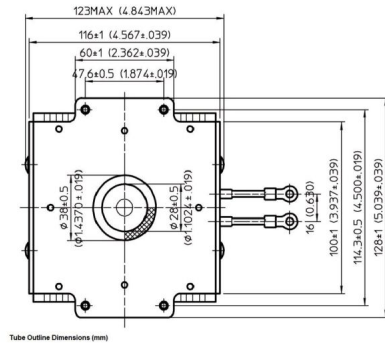
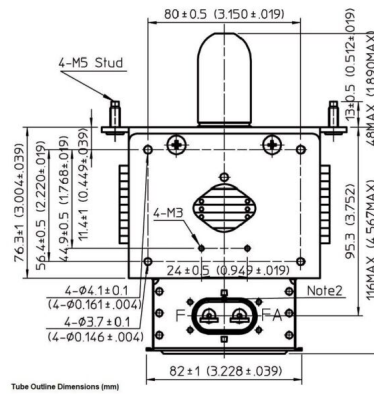
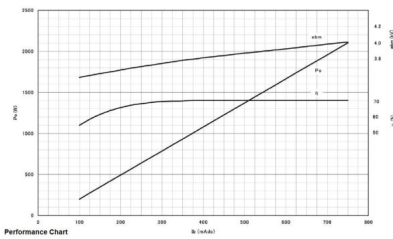


MAGNETRON - 1200049

Categories: Magnetrons



BILDERGALERIE



ADDITIONAL INFORMATION

Typ	Magnetron
OEM Item Number	2M259G-B4AMG
Output Power CW [W]	2000
Frequency [MHz]	2450
ISM Band	S-Band
Cooling	air-cooled
Orientation of HV and cooling connectors	90°
Fastening / Studs	4 x Through-hole 5,8 (no studs)
Orientation HV to fastening	90°
Magnet	Packaged magnet
Cooling Connector Type	-
Temperature sensor	-