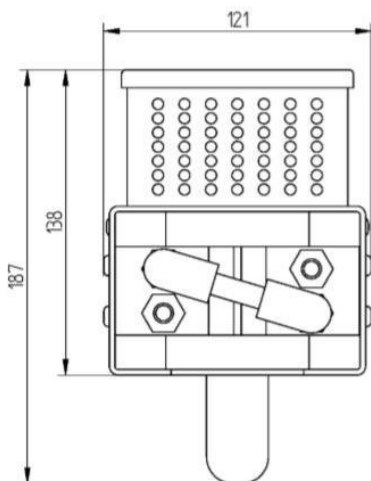
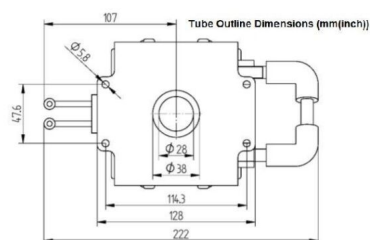
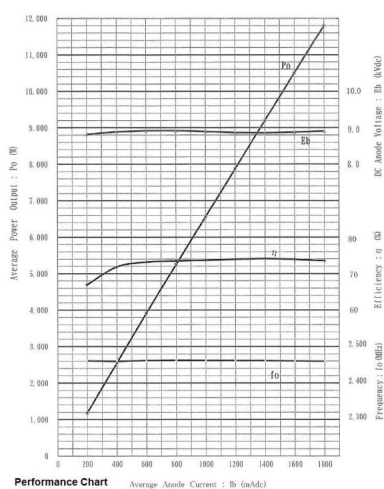


MAGNETRON - 1200181

Categories: Magnetrons



BILDERGALERIE



Tube Outline Dimensions (mm(inch))

ADDITIONAL INFORMATION

Typ	Magnetron
OEM Item Number	H0915-10
Output Power CW [W]	10000
Frequency [MHz]	2450
ISM Band	S-Band
Cooling	water-cooled
Orientation of HV and cooling connectors	180°
Fastening / Studs	4 x Through-hole 5,8 (no studs)
Orientation HV to fastening	0°
Magnet	Packaged magnet
Cooling Connector Type	Tube fittings Ø 10 mm x 6 mm (Outer x Inner)
Temperature sensor	-