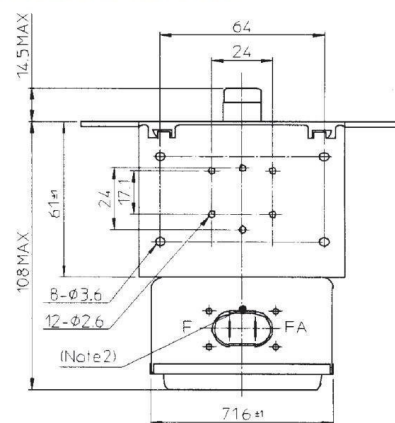


MAGNETRON - 1200209

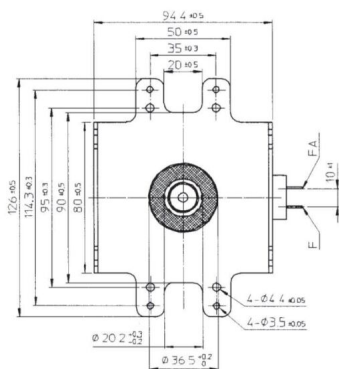
Categories: Magnetrons

Tube Outline Dimensions (mm(inch))



BILDERGALERIE

Tube Outline Dimensions (mm(inch))



ADDITIONAL INFORMATION

Typ	Magnetron
OEM Item Number	
Output Power CW [W]	750
Frequency [MHz]	5800
ISM Band	C-Band
Cooling	air-cooled
Orientation of HV and cooling connectors	90°
Fastening / Studs	4 x Through-hole 5,8 (no studs)
Orientation HV to fastening	90°
Magnet	Packaged magnet
Cooling Connector Type	-
Temperature sensor	-