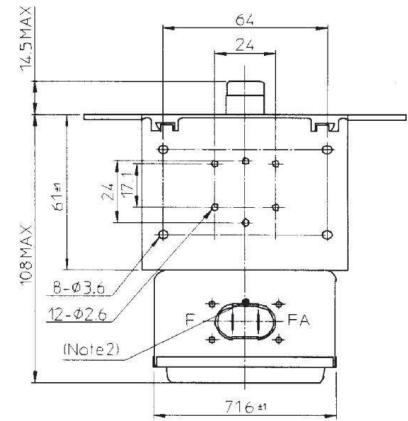


MAGNETRON - 1200209

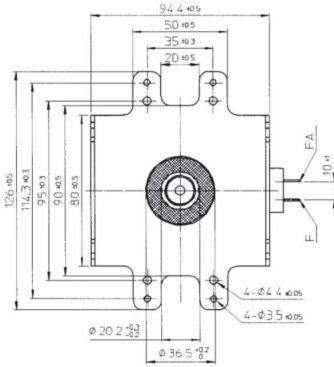
Categories: Magnetrons

Tube Outline Dimensions (mm(inch))



BILDERGALERIE

Tube Outline Dimensions (mm(inch))



ADDITIONAL INFORMATION

| | |
|---|---------------------------------|
| Typ | Magnetron |
| OEM Item Number | M5801F-10AMG |
| Output Power CW [W] | 750 |
| Frequency [MHz] | 5800 |
| ISM Band | C-Band |
| Cooling | air-cooled |
| Orientation of HV and cooling connectors | 90° |
| Fastening / Studs | 4 x Through-hole 5,8 (no studs) |
| Orientation HV to fastening | 90° |
| Magnet | Packaged magnet |
| Cooling Connector Type | - |
| Temperature sensor | - |