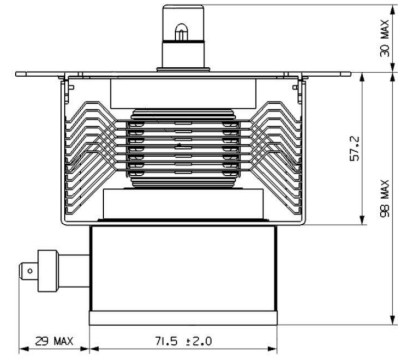


MAGNETRON - 1200382

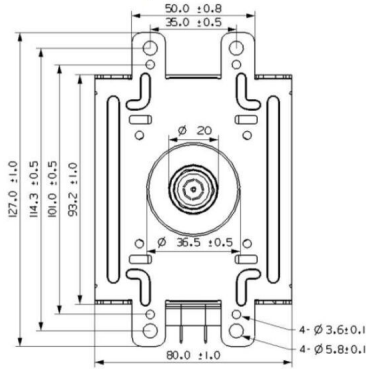
Categories: Magnetrons



Tube Outline Dimensions (mm(inch))

BILDERGALERIE

Tube Outline Dimensions (mm(inch))



ADDITIONAL INFORMATION

Typ	Magnetron
OEM Item Number	1200382
Output Power CW [W]	1000
Frequency [MHz]	2450
ISM Band	S-Band
Cooling	air-cooled
Orientation of HV and cooling connectors	90°
Fastening / Studs	4 x Through-hole 5,8 (no studs)
Orientation HV to fastening	0°
Magnet	Packaged magnet
Cooling Connector Type	-
Temperature sensor	-