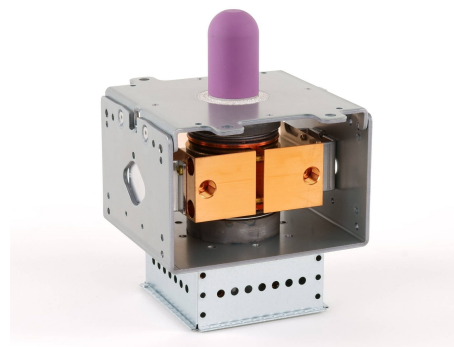
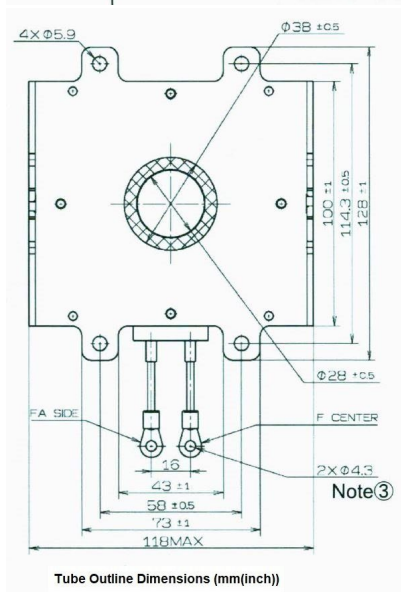
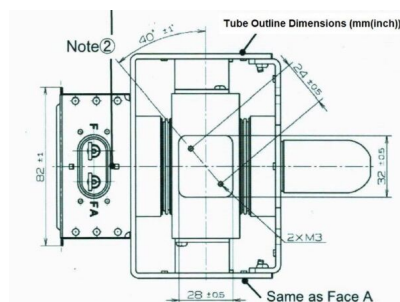
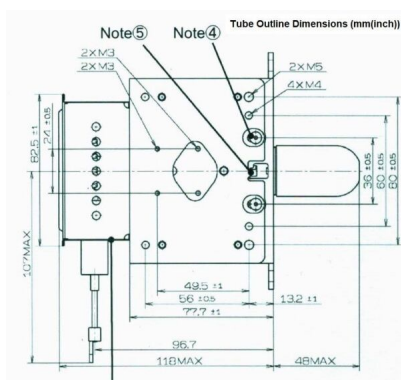


MAGNETRON - 1200389

Categories: Magnetrons



BILDERGALERIE



ADDITIONAL INFORMATION

Typ	Magnetron
OEM Item Number	PM266E-196MG
Output Power CW [W]	3000
Frequency [MHz]	2455
ISM Band	S-Band
Cooling	water-cooled
Orientation of HV and cooling connectors	180°
Fastening / Studs	4 x Through-hole 5,8 (no studs)
Orientation HV to fastening	0°
Magnet	Packaged magnet
Cooling Connector Type	G1/8" Female Thread
Temperature sensor	Non