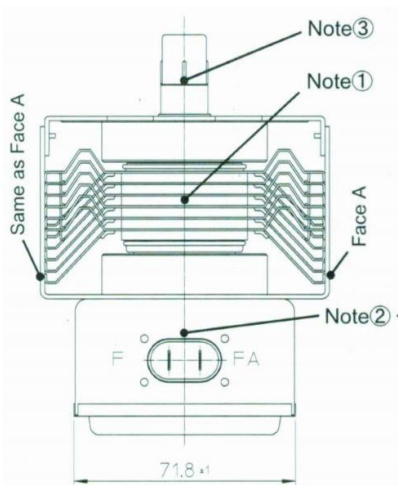


# MAGNETRON - 1200392

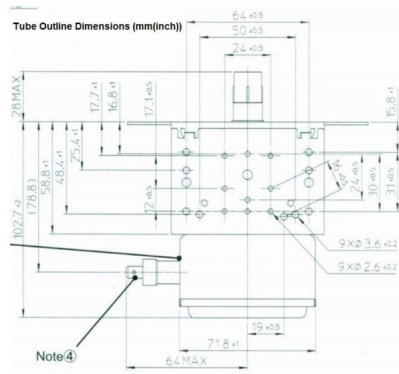
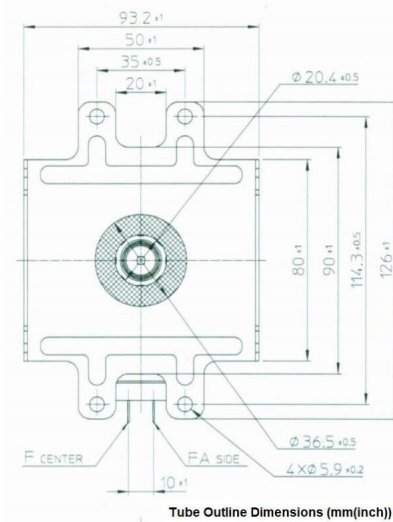
Categories: Magnetrons



## BILDERGALERIE



Tube Outline Dimensions (mm(inch))



## ADDITIONAL INFORMATION

<b>Typ</b>	Magnetron
<b>OEM Item Number</b>	2M167B-M14J1
<b>Output Power CW [W]</b>	900
<b>Frequency [MHz]</b>	2460
<b>ISM Band</b>	S-Band
<b>Cooling</b>	air-cooled
<b>Orientation of HV and cooling connectors</b>	0°
<b>Fastening / Studs</b>	4 x Through-hole 5,8 (no studs)
<b>Orientation HV to fastening</b>	0°
<b>Magnet</b>	Packaged magnet
<b>Cooling Connector Type</b>	-
<b>Temperature sensor</b>	Non