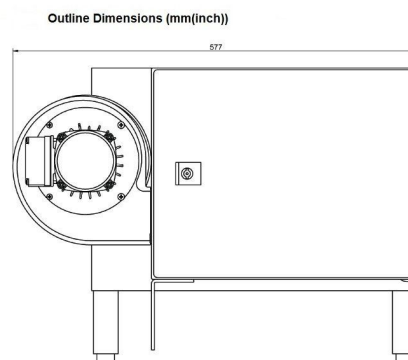
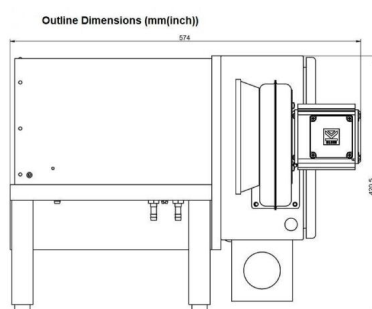


MAGNETRON-HEAD - MH015KS-310CN

Categories: Microwave generators



BILDERGALERIE



ADDITIONAL INFORMATION

Typ	Magnetron-Head
Frequency [MHz]	2450
Output Power [W]	15000
Line connection	2~ (L1 / L2 / PE)
Mains voltage control circuit [V]	230
Line Frequency [Hz]	50 / 60
Cooling	Air / Water
Pulse output power max [W]	-
Front-Panel (HMI)	Neutral
Width [mm (inch)]	577 (22,72)
Height [mm (inch)]	420,5 (16,56)
Depth [mm (inch)]	574 (22,60)
Protection	IP20
Output Connection Type	WR430 / R22
Output Connection	Waveguide
Isolator	No