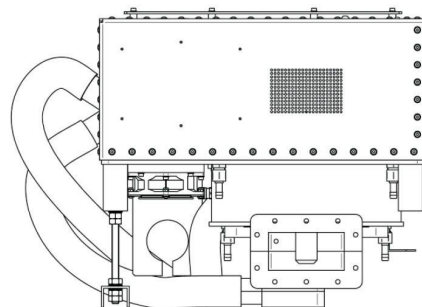


MAGNETRON-HEAD - MH015KS-314CN

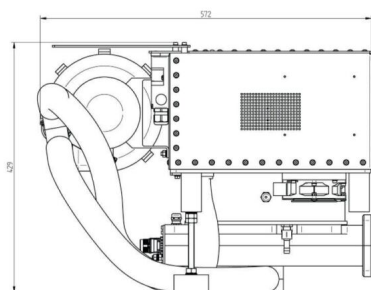
Categories: Microwave generators

Outline Dimensions (mm(Inch))

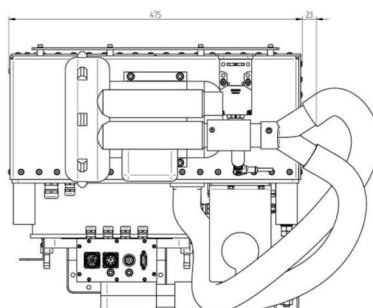


BILDERGALERIE

Outline Dimensions (mm(Inch))



Outline Dimensions (mm(Inch))



ADDITIONAL INFORMATION

Typ	Magnetron-Head
Frequency [MHz]	2450
Output Power [W]	15000
Line connection	2~ (L1 / L2 / PE)
Mains voltage control circuit [V]	230
Line Frequency [Hz]	50 / 60
Cooling	Air / Water
Pulse output power max [W]	-
Front-Panel (HMI)	Neutral
Width [mm (inch)]	471 (18,54)
Height [mm (inch)]	424 (16,69)
Depth [mm (inch)]	570 (22,44)
Protection	IP20
Output Connection Type	WR430 / R22
Output Connection	Waveguide
Isolator	No
Power-Supply	