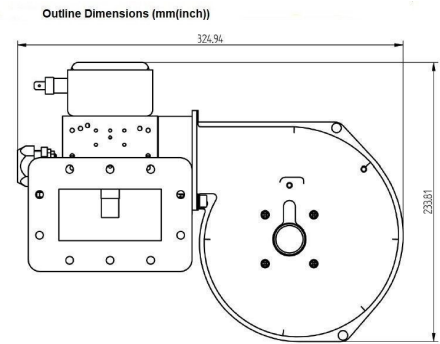
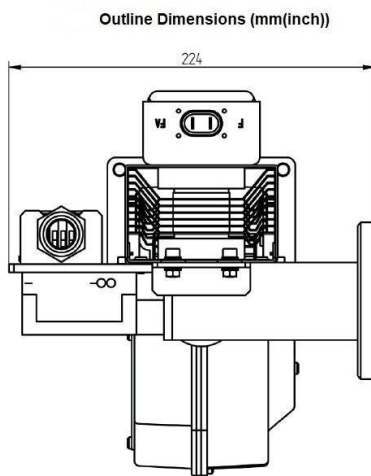


# MAGNETRON-HEAD - MH1000B-250BH

**Categories:** Microwave generators



## BILDERGALERIE



## ADDITIONAL INFORMATION

<b>Typ</b>	Magnetron-Head
<b>Frequency [MHz]</b>	2450
<b>Output Power [W]</b>	1000
<b>Line connection</b>	1~ (L / N / PE)
<b>Mains voltage control circuit [V]</b>	-
<b>Line Frequency [Hz]</b>	-
<b>Cooling</b>	Air
<b>Pulse output power max [W]</b>	-
<b>Front-Panel (HMI)</b>	-
<b>Width [mm (inch)]</b>	325 (12,80)
<b>Height [mm (inch)]</b>	235 (9,25)
<b>Depth [mm (inch)]</b>	235 (9,25)
<b>Protection</b>	IP00
<b>Output Connection Type</b>	WR340 / R26
<b>Output Connection</b>	Waveguide
<b>Isolator</b>	No