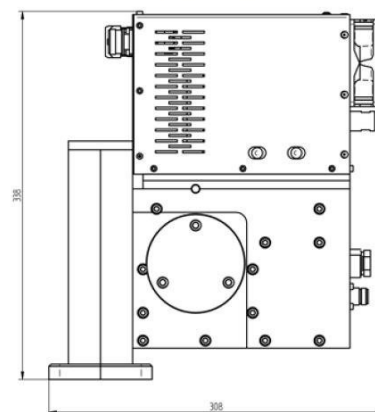


MAGNETRON-HEAD - MH1250S-250BB

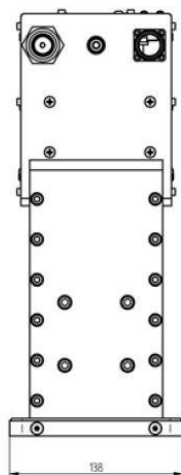
Categories: Microwave generators

Outline Dimensions (mm(inch))



BILDERGALERIE

Outline Dimensions (mm(inch))



ADDITIONAL INFORMATION

Typ	Magnetron-Head
Frequency [MHz]	2450
Output Power [W]	1250
Line connection	1~ (L / N / PE)
Mains voltage control circuit [V]	24
Line Frequency [Hz]	DC
Cooling	Air / Water
Pulse output power max [W]	1250
Front-Panel (HMI)	With Connectors
Width [mm (inch)]	138 (5,43)
Height [mm (inch)]	338 (13,31)
Depth [mm (inch)]	327 (12,87)
Protection	IP20
Output Connection Type	WR340 / R26
Output Connection	Waveguide
Isolator	Yes