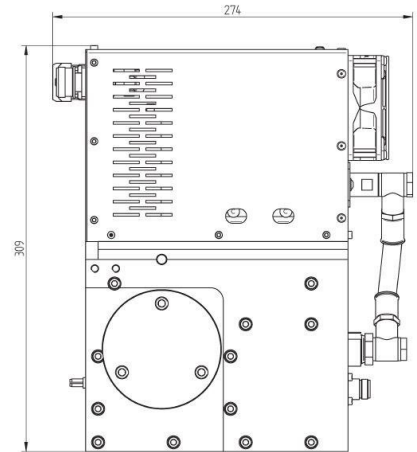


MAGNETRON-HEAD - MH1250S-251BB

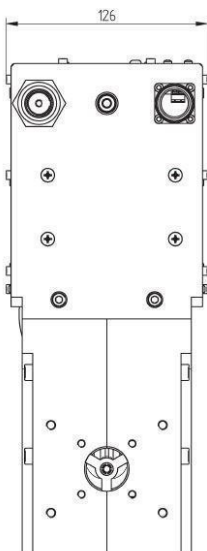
Categories: Microwave generators

Outline Dimensions (mm(inch))



BILDERGALERIE

Outline Dimensions (mm(inch))



ADDITIONAL INFORMATION

Typ	Magnetron-Head
Frequency [MHz]	2450
Output Power [W]	1250
Line connection	1~ (L / N / PE)
Mains voltage control circuit [V]	24
Line Frequency [Hz]	DC
Cooling	Air / Water
Pulse output power max [W]	1250
Front-Panel (HMI)	With Connectors
Width [mm (inch)]	126 (4,96)
Height [mm (inch)]	309 (12,17)
Depth [mm (inch)]	274 (10,79)
Protection	IP20
Output Connection Type	Koax 8 / 26
Output Connection	Coaxial conductor
Isolator	Yes