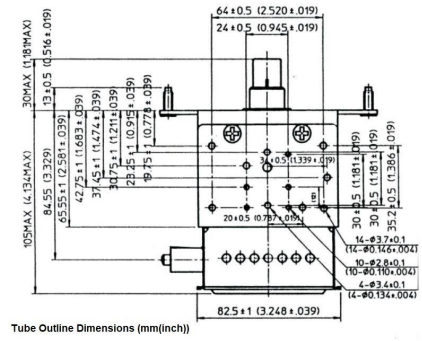


MAGNETRON - MB2422A-120CF

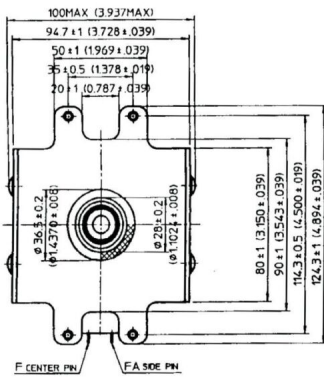
Categories: Magnetrons



Tube Outline Dimensions (mm(inch))

BILDERGALERIE

Tube Outline Dimensions (mm(inch))



ADDITIONAL INFORMATION

Typ	Magnetron
OEM Item Number	MB2422A-120CF
Output Power CW [W]	1250
Frequency [MHz]	2450
ISM Band	S-Band
Cooling	water-cooled
Orientation of HV and cooling connectors	180°
Fastening / Studs	4 x Through-hole 5,8 (no studs)
Orientation HV to fastening	0°
Magnet	Packaged magnet
Cooling Connector Type	Hose Nipple Ø11 mm
Temperature sensor	-