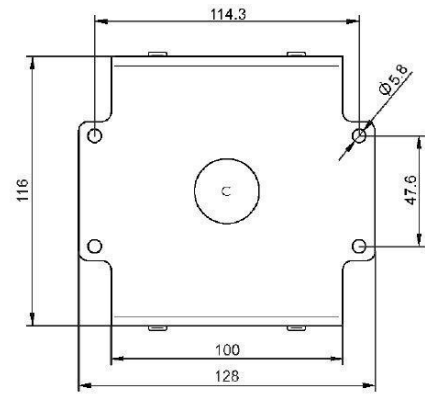


MAGNETRON - MB2533A-120FL

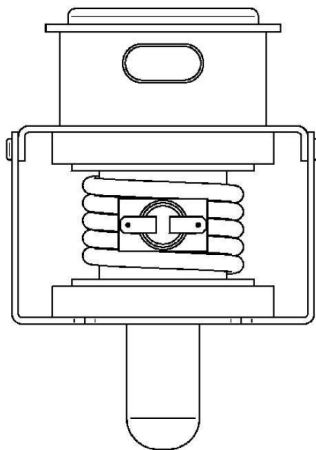
Categories: Magnetrons



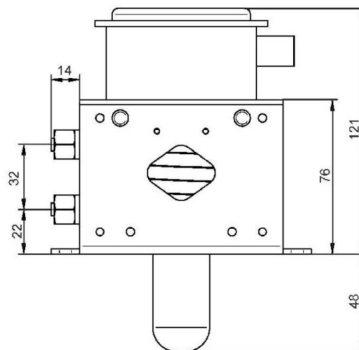
Tube Outline Dimensions (mm(inch))

BILDERGALERIE

Tube Outline Dimensions (mm(inch))



Tube Outline Dimensions (mm(inch))



ADDITIONAL INFORMATION

Typ	Magnetron
OEM Item Number	MB2533A-120FL
Output Power CW [W]	2000
Frequency [MHz]	2450
ISM Band	S-Band
Cooling	water-cooled
Orientation of HV and cooling connectors	180°
Fastening / Studs	4 x Through-hole 5,8 (no studs)
Orientation HV to fastening	0°
Magnet	Packaged magnet
Cooling Connector Type	Pipe socket with union nut 1/4" Female Thread
Temperature sensor	50 °C (122 °F)