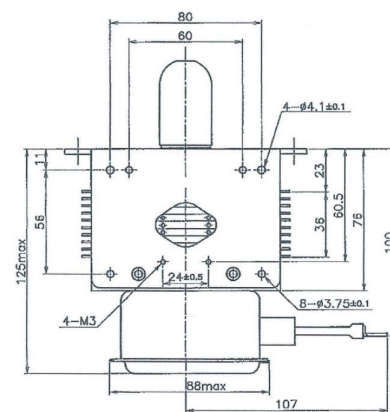


MAGNETRON - MB2533A-120FT

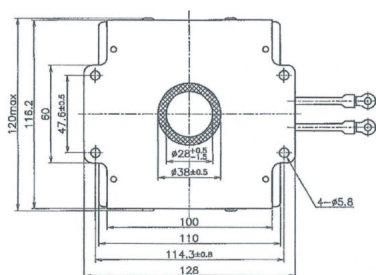
Categories: Magnetrons



Tube Outline Dimensions (mm(Inch))

BILDERGALERIE

Tube Outline Dimensions (mm(Inch))



ADDITIONAL INFORMATION

Typ	Magnetron
OEM Item Number	MB2533A-120FT
Output Power CW [W]	2000
Frequency [MHz]	2450
ISM Band	S-Band
Cooling	water-cooled
Orientation of HV and cooling connectors	180°
Fastening / Studs	4 x Through-hole 5,8 (no studs)
Orientation HV to fastening	0°
Magnet	Packaged magnet
Cooling Connector Type	Ø1/4" tube fitting
Temperature sensor	50 °C (122 °F)
Equivalent to	NL 10250-20A