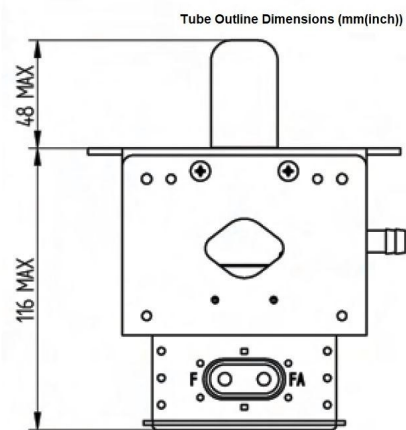
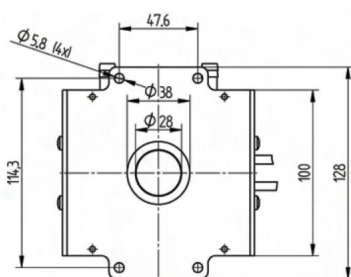


MAGNETRON - MB2567A-170CK

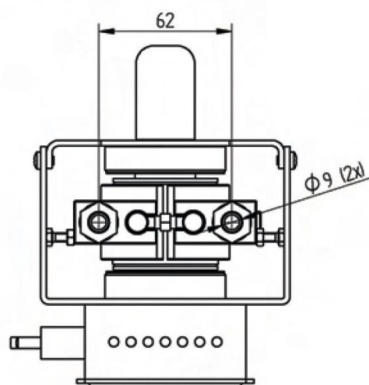
Categories: Magnetrons



BILDERGALERIE



Tube Outline Dimensions (mm(Inch))



Tube Outline Dimensions (mm(Inch))

ADDITIONAL INFORMATION

Typ	Magnetron
OEM Item Number	MB2567A-170CK
Output Power CW [W]	2000
Frequency [MHz]	2450
ISM Band	S-Band
Cooling	water-cooled
Orientation of HV and cooling connectors	90°
Fastening / Studs	4 x Through-hole 5,8 (no studs)
Orientation HV to fastening	90°
Magnet	Packaged magnet
Cooling Connector Type	Hose Nipple Ø9 mm
Temperature sensor	-