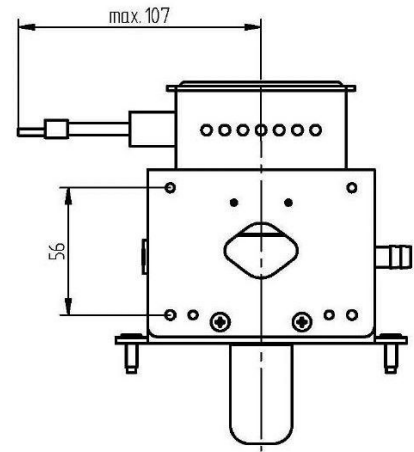


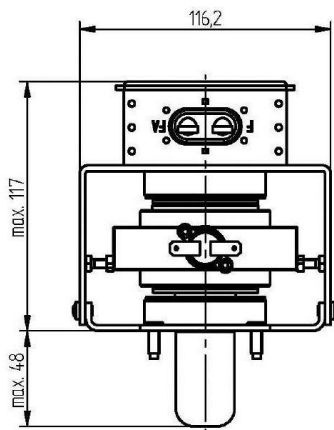
MAGNETRON - MB2568A-130ED

Categories: Magnetrons

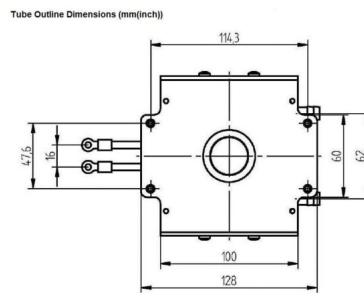


Tube Outline Dimensions (mm(inch))

BILDERGALERIE



Tube Outline Dimensions (mm(inch))



Tube Outline Dimensions (mm(inch))

ADDITIONAL INFORMATION

Typ	Magnetron
OEM Item Number	MB2568A-130ED
Output Power CW [W]	2000
Frequency [MHz]	2450
ISM Band	S-Band
Cooling	water-cooled
Orientation of HV and cooling connectors	180°
Fastening / Studs	4x M5 Bolt (Studs)
Orientation HV to fastening	0°
Magnet	Packaged magnet
Cooling Connector Type	Hose Nipple Ø9 mm
Temperature sensor	50 °C (122 °F)
Equivalent to	NL10250-7