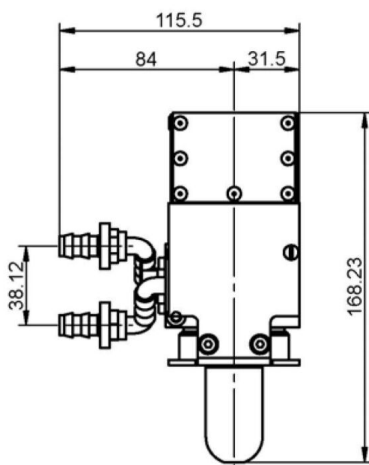


MAGNETRON - MB2658A-170FZ_UB01

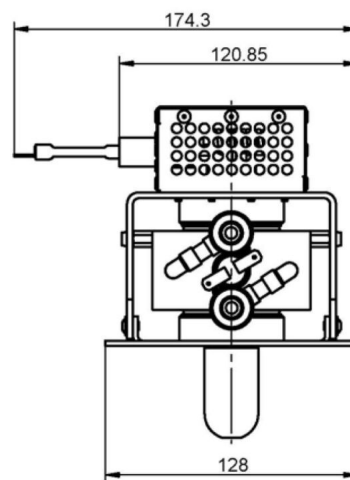
Categories: Magnetrons



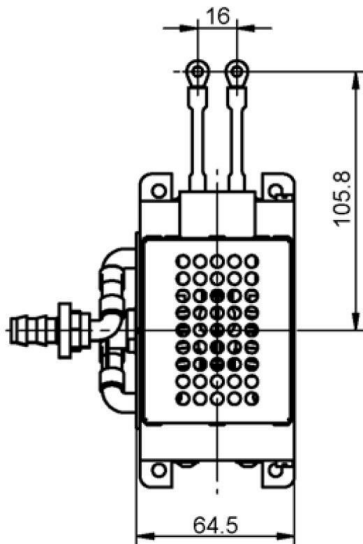
BILDERGALERIE



Tube Outline Dimensions (mm(inch))



Tube Outline Dimensions (mm(inch))



Tube Outline Dimensions (mm(inch))

ADDITIONAL INFORMATION

Typ	Magnetron
OEM Item Number	
Output Power CW [W]	1500
Frequency [MHz]	2450
ISM Band	S-Band
Cooling	water-cooled
Orientation of HV and cooling connectors	90°
Fastening / Studs	4 x Through-hole 5,8 (no studs)
Orientation HV to fastening	0°
Magnet	Packaged magnet
Cooling Connector Type	Hose Nipple Ø9 mm
Temperature sensor	80 °C (176 °F)
Equivalent to	DX582A
Used in	ASTeX 1.5 kW (e.g. AX-2115)