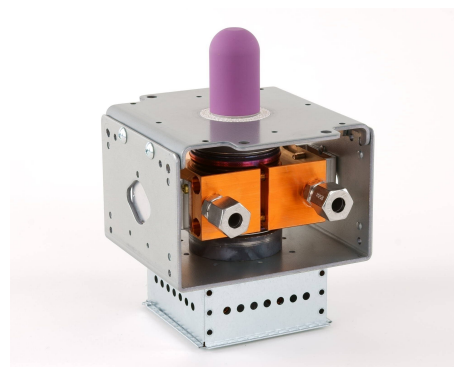
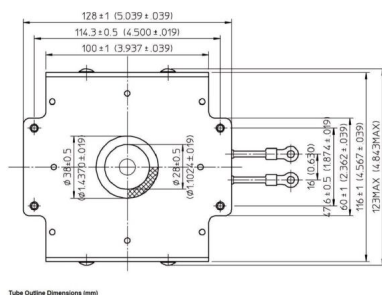
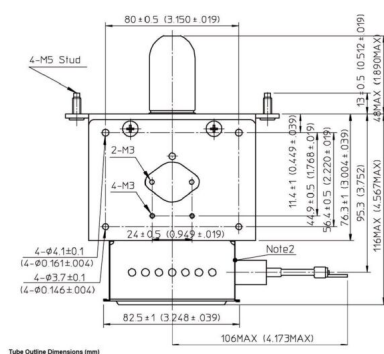
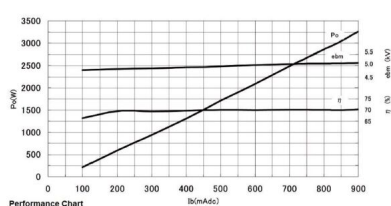


MAGNETRON - MB2658A-190GE

Categories: Magnetrons



BILDERGALERIE



ADDITIONAL INFORMATION

Typ	Magnetron
OEM Item Number	MB2658A-190GE
Output Power CW [W]	3000
Frequency [MHz]	2450
ISM Band	S-Band
Cooling	water-cooled
Orientation of HV and cooling connectors	180°
Fastening / Studs	2x Through-hole Ø5,8 (no studs) / 2x M5 Bolt (Studs)
Orientation HV to fastening	0°
Magnet	Packaged magnet
Cooling Connector Type	Ø8 mm Tube Fitting
Temperature sensor	-