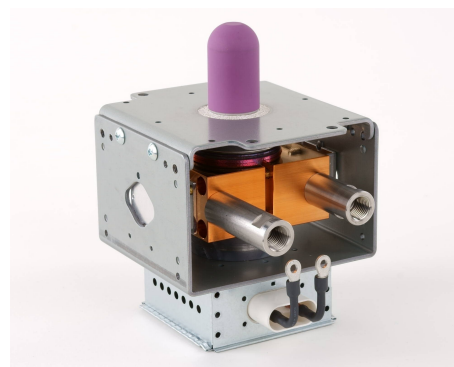
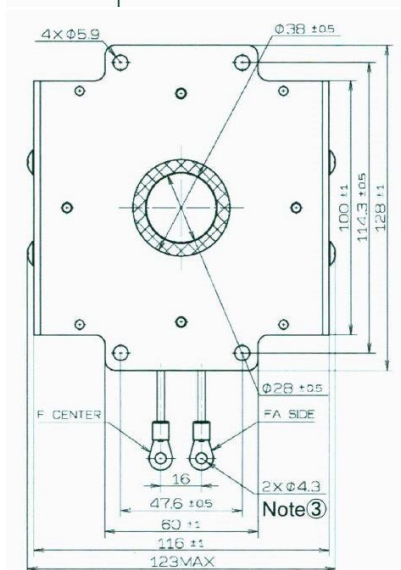
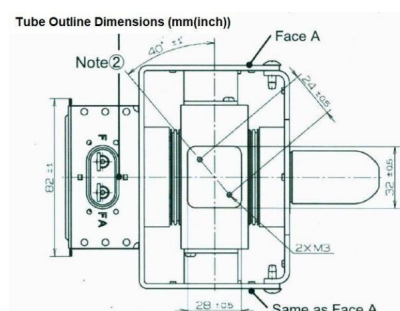
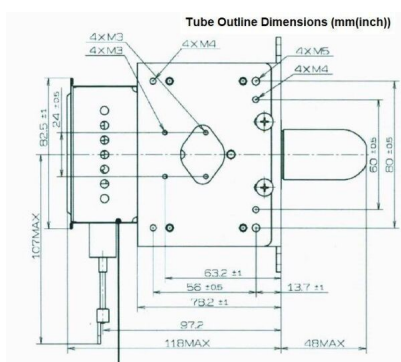


# MAGNETRON - MB2659A-110EK

Categories: Magnetrons



## BILDERGALERIE



Tube Outline Dimensions (mm(Inch))

## ADDITIONAL INFORMATION

<b>Typ</b>	Magnetron
<b>OEM Item Number</b>	MB2659A-110EK00001100001
<b>Output Power CW [W]</b>	3000
<b>Frequency [MHz]</b>	2450
<b>ISM Band</b>	S-Band
<b>Cooling</b>	water-cooled
<b>Orientation of HV and cooling connectors</b>	0°
<b>Fastening / Studs</b>	4 x Through-hole 5,8 (no studs)
<b>Orientation HV to fastening</b>	0°
<b>Magnet</b>	Packaged magnet
<b>Cooling Connector Type</b>	G1/4" Female Thread
<b>Temperature sensor</b>	-