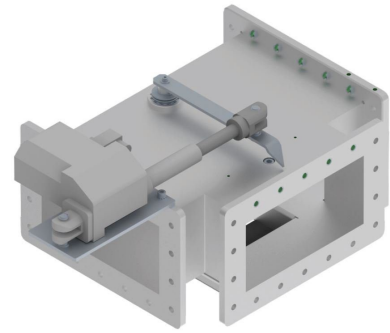


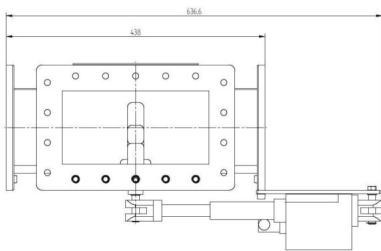
POWERSPLITTER - MW3036K-230CC

Categories: Waveguide components

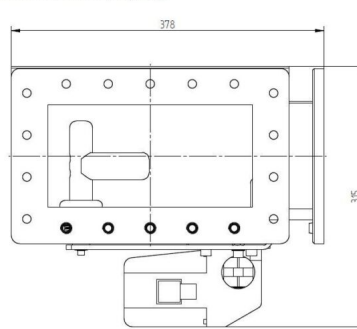


BILDERGALERIE

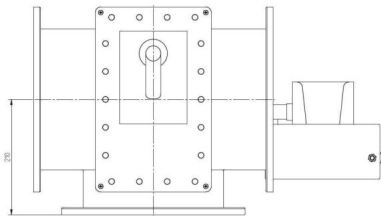
Outline Dimensions (mm)(inch)



Outline Dimensions (mm)(inch)



Outline Dimensions (mm)(inch)



ADDITIONAL INFORMATION

Frequency [MHz]	915
Output Power [W]	100000
Waveguide size	WR975 / R9
Flange	UDR
Product group	Waveguide