

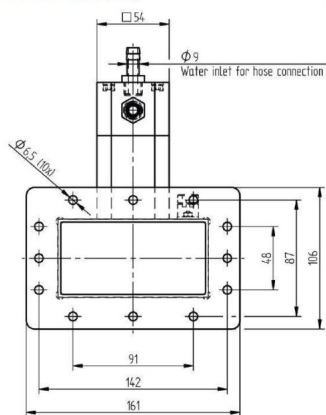
# WASSERLAST - MW1021E-230DF

Categories: Waveguide components

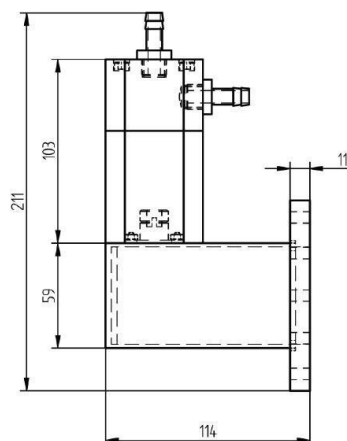


## BILDERGALERIE

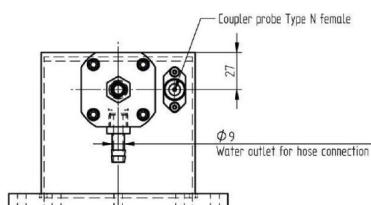
Outline Dimensions (mm(inch))



Outline Dimensions (mm(inch))



Outline Dimensions (mm(inch))



## ADDITIONAL INFORMATION

<b>Frequency [MHz]</b>	2450
<b>Output Power [W]</b>	15000
<b>Waveguide size</b>	WR430 / R22
<b>Flange</b>	UDR
<b>Product group</b>	Water load