

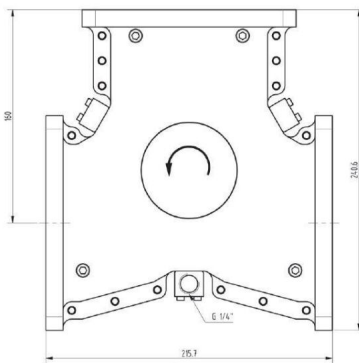
ZIRKULATOR - MW1001B-210DC

Categories: Waveguide components

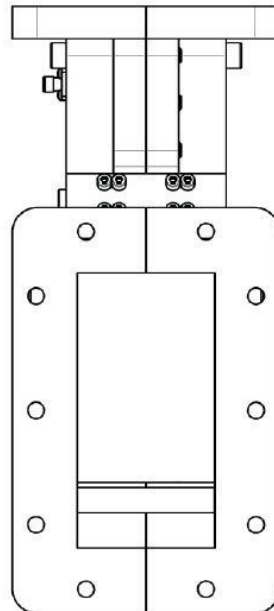


BILDERGALERIE

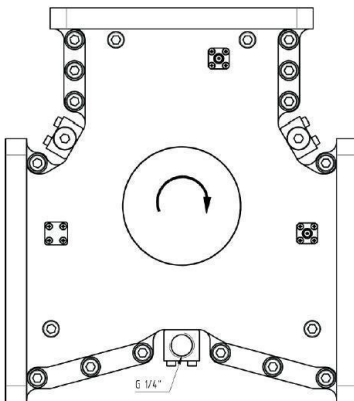
Outline Dimensions (mm(inch))



Outline Dimensions (mm(inch))



Outline Dimensions (mm(inch))



ADDITIONAL INFORMATION

Frequency [MHz]	2450
Output Power [W]	30000
Waveguide size	WR430 / R22
Flange	UDR
Product group	Iso- / Circulator