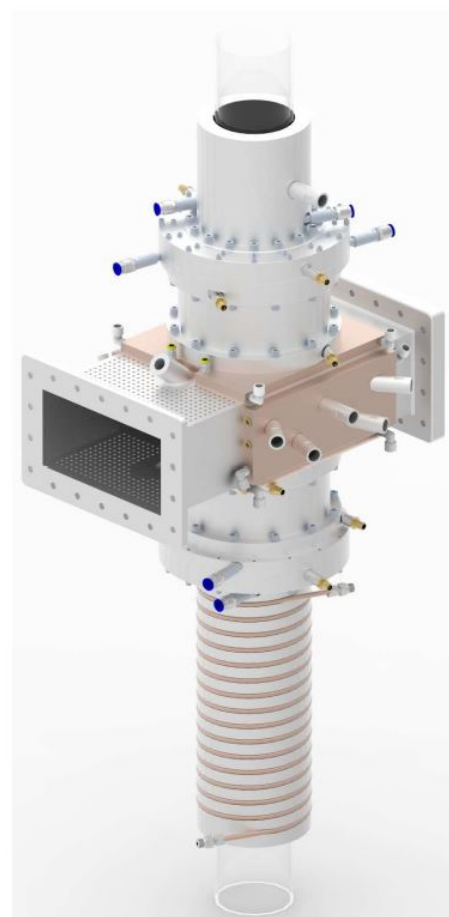
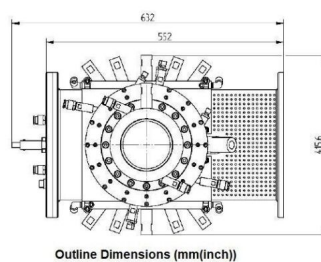
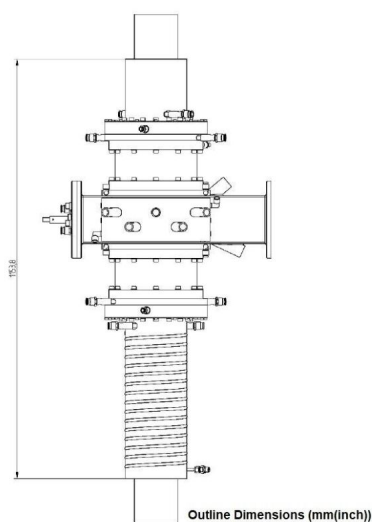


# DOWN-STREAM-PLASMA-QUELLE - MA100KD-013BF

Categories:



## BILDERGALERIE



## ZUSÄTZLICHE INFORMATIONEN

<b>Art</b>	Down-Stream-Plasma-Source
	가 /
	-
<b>CW [W]</b>	100000
<b>Frequenz [MHz]</b>	915
	WR975 / R9
	-