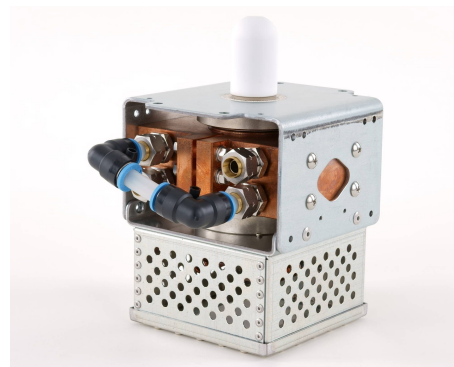
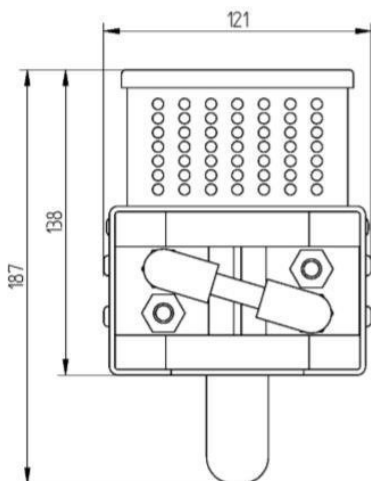
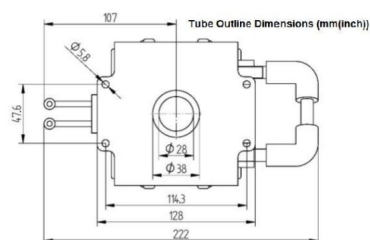
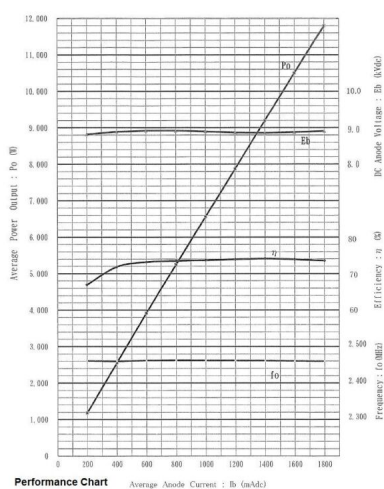


# MAGNETRON - 1200181

Categories:



## BILDERGALERIE



Tube Outline Dimensions (mm(inch))

## ZUSÄTZLICHE INFORMATIONEN

<b>Art</b>	Magnetron
<b>OEM</b>	H0915-10
<b>CW[W]</b>	10000
<b>Frequenz [MHz]</b>	2450
<b>ISM</b>	S-
<b>HV</b>	180°
/	4x
<b>HV</b> /	0°
	Packaged magnet
	Tube fittings Ø 10 mm x 6 mm (Outer x Inner)
	-