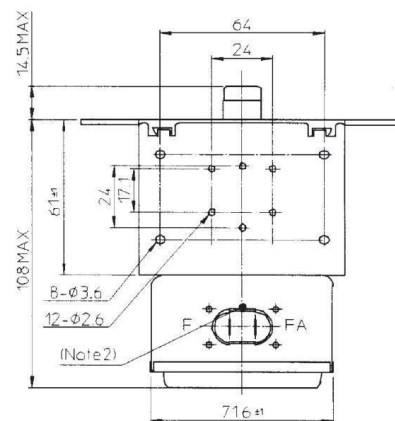


MAGNETRON - 1200209

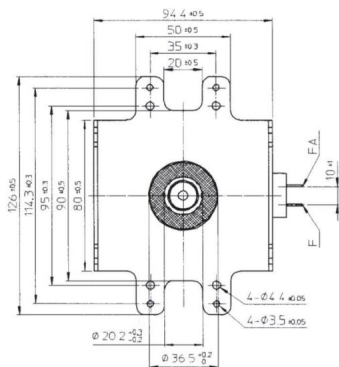
Categories:

Tube Outline Dimensions (mm(inch))



BILDERGALERIE

Tube Outline Dimensions (mm(inch))



ZUSÄTZLICHE INFORMATIONEN

Art	Magnetron
OEM	
CW[W]	750
Frequenz [MHz]	5800
ISM	C-
HV	90°
/	4x
HV /	90°
	Packaged magnet
	-
	-