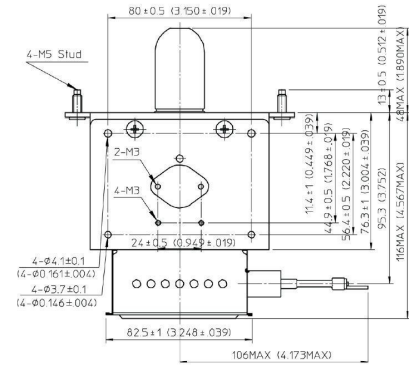


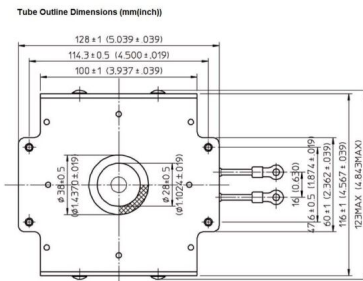
MAGNETRON - MB2658A-120BM

Categories:



Tube Outline Dimensions (mm(inch))

BILDERGALERIE



ZUSÄTZLICHE INFORMATIONEN

Art	Magnetron
OEM	MB2658A-120BM
CW[W]	3000
Frequenz [MHz]	2450
ISM	S-
HV	180°
/	4x
HV /	0°
	E-Magnet
	Schlauchtülle Ø9 mm
	50 °C (122 °F)