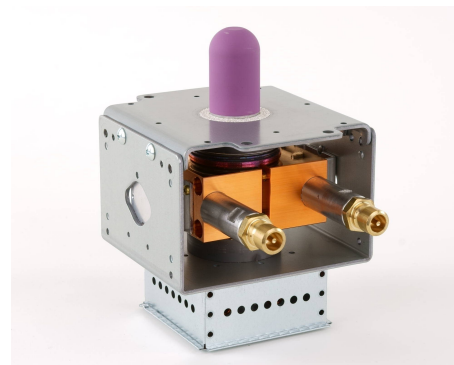


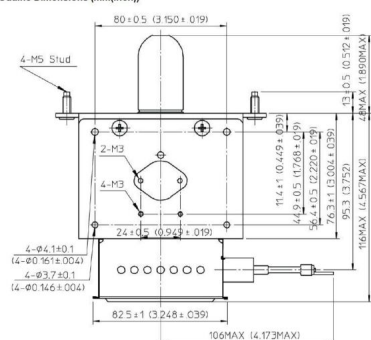
MAGNETRON - MB2658A-120EL

Categories:

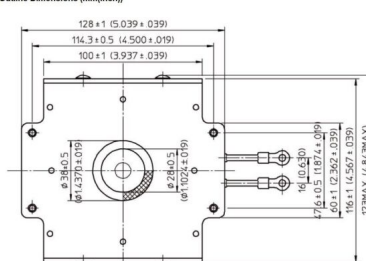


BILDERGALERIE

Outline Dimensions (mm)(inch)



Outline Dimensions (mm)(inch)



ZUSÄTZLICHE INFORMATIONEN

Art	Magnetron
OEM	MB2658A-120EL
CW[W]	3000
Frequenz [MHz]	2450
ISM	S-
HV	180°
/	4x
HV /	0°
	Packaged magnet
	Stecknippel
	50 °C (122 °F)