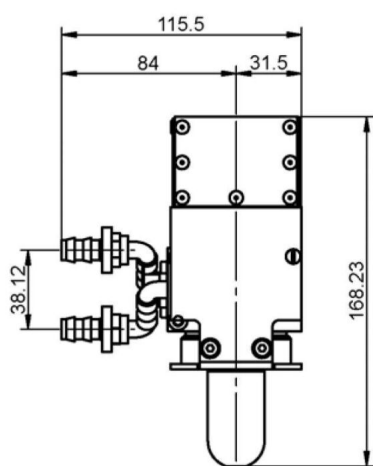


MAGNETRON - MB2658A-170FZ

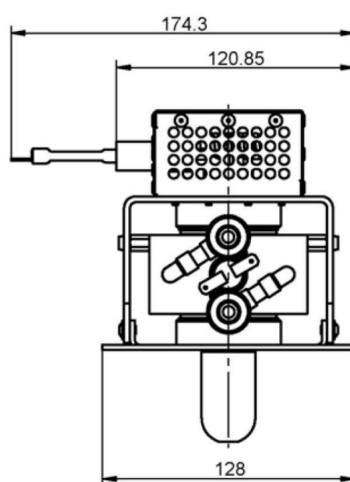
Categories:



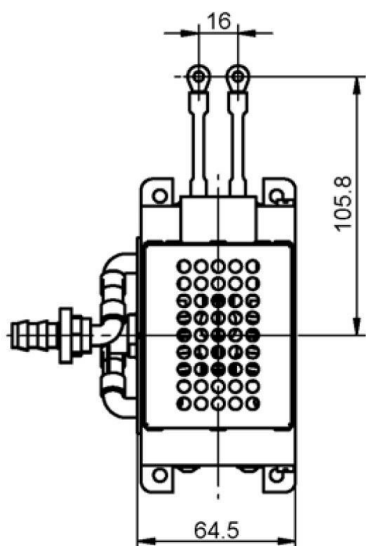
BILDERGALERIE



Tube Outline Dimensions (mm(Inch))



Tube Outline Dimensions (mm(Inch))



Tube Outline Dimensions (mm(Inch))

ZUSÄTZLICHE INFORMATIONEN

Art	Magnetron
OEM	MB2658A-170FZ
CW[W]	1500
Frequenz [MHz]	2450
ISM	S-
HV	90°
/	4x
HV /	0°
	Packaged magnet
	Schlauchtülle Ø9 mm
	80 °C (176 °F)
	DX582A
	ASTeX 1.5 kW (e.g. AX-2115)