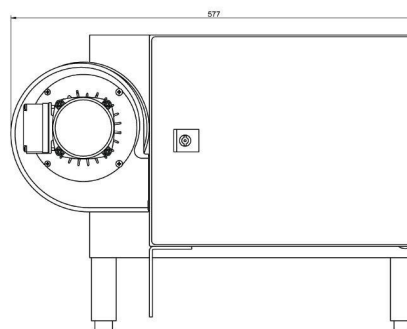


# MAGNETRONKOPF - MH015KS-310CN

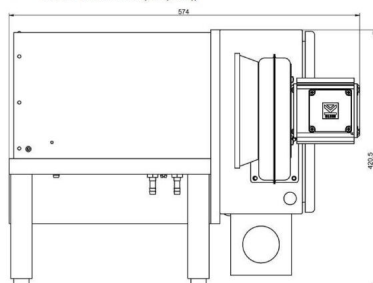
Categories:

Outline Dimensions (mm(inch))



## BILDERGALERIE

Outline Dimensions (mm(inch))



## ZUSÄTZLICHE INFORMATIONEN

<b>Art</b>	
<b>Frequenz [MHz]</b>	2450
<b>CW [W]</b>	15000
	2~ (L1 / L2 / PE)
<b>[V]</b>	230
<b>[Hz]</b>	50 / 60
	/
<b>[W]</b>	-
<b>(HMI)</b>	
<b>[mm ( )]</b>	577 (22,72)
<b>[mm ( )]</b>	420,5 (16,56)
<b>[mm ( )]</b>	574 (22,60)
	IP20
	WR430 / R22