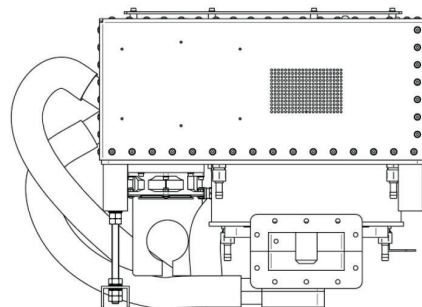


MAGNETRONKOPF - MH015KS-314CN

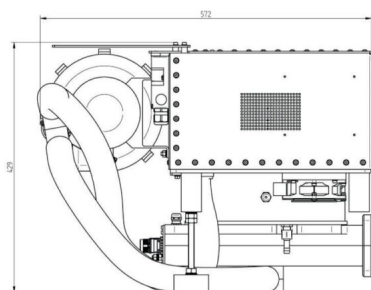
Categories:

Outline Dimensions (mm(Inch))

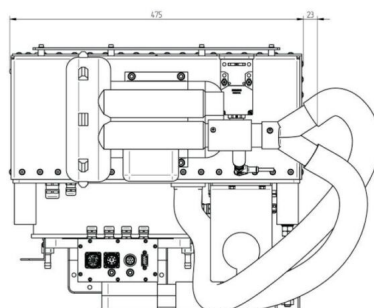


BILDERGALERIE

Outline Dimensions (mm(Inch))



Outline Dimensions (mm(Inch))



ZUSÄTZLICHE INFORMATIONEN

Art	
Frequenz [MHz]	2450
CW [W]	15000
	2~ (L1 / L2 / PE)
[V]	230
[Hz]	50 / 60
	/
[W]	-
(HMI)	
[mm ()]	471 (18,54)
[mm ()]	424 (16,69)
[mm ()]	570 (22,44)
	IP20
	WR430 / R22