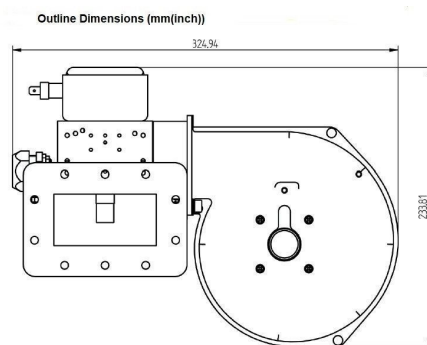
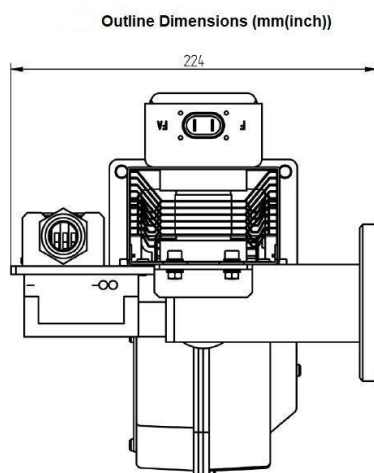


MAGNETRONKOPF - MH1000B-250BH

Categories:



BILDERGALERIE



ZUSÄTZLICHE INFORMATIONEN

Art	
Frequenz [MHz]	2450
CW [W]	1000
	1~ (L / N / PE)
[V]	-
[Hz]	-
[W]	-
(HMI)	-
[mm ()]	325 (12,80)
[mm ()]	235 (9,25)
[mm ()]	235 (9,25)
	IP00
	WR340 / R26