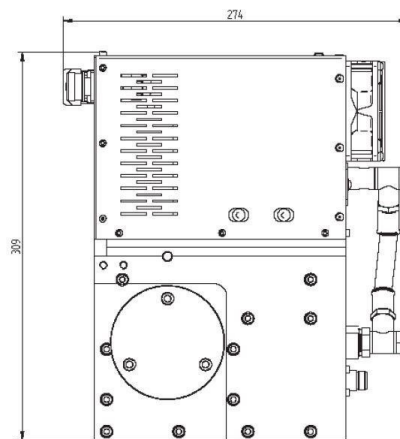


# MAGNETRONKOPF - MH1000S-251BB

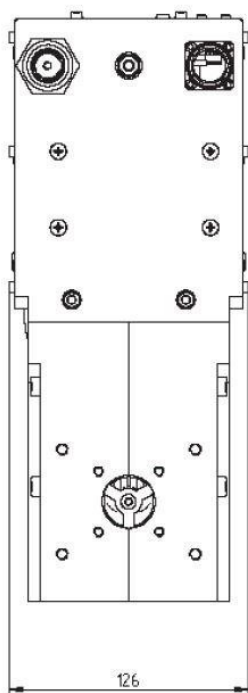
Categories:



Outline Dimensions (mm(inch))

## BILDERGALERIE

Outline Dimensions (mm(inch))



## ZUSÄTZLICHE INFORMATIONEN

<b>Art</b>	
<b>Frequenz [MHz]</b>	2450
<b>CW [W]</b>	1000
	1~ (L / N / PE)
<b>[V]</b>	24
<b>[Hz]</b>	DC
	/
<b>[W]</b>	1000
<b>(HMI)</b>	
<b>[mm ( )]</b>	126 (4,96)
<b>[mm ( )]</b>	309 (12,17)
<b>[mm ( )]</b>	274 (10,79)
	IP20
	8 / 26
	Koaxialleiter