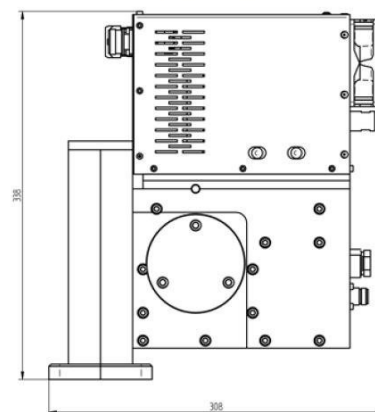


MAGNETRONKOPF - MH1250S-250BB

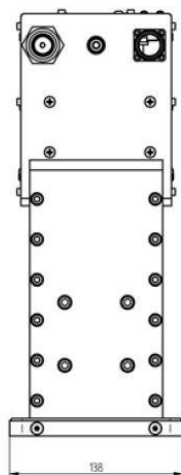
Categories:

Outline Dimensions (mm(inch))



BILDERGALERIE

Outline Dimensions (mm(inch))



ZUSÄTZLICHE INFORMATIONEN

Art	
Frequenz [MHz]	2450
CW [W]	1250
	1~ (L / N / PE)
[V]	24
[Hz]	DC
	/
[W]	1250
(HMI)	
[mm ()]	138 (5,43)
[mm ()]	338 (13,31)
[mm ()]	327 (12,87)
	IP20
	WR340 / R26