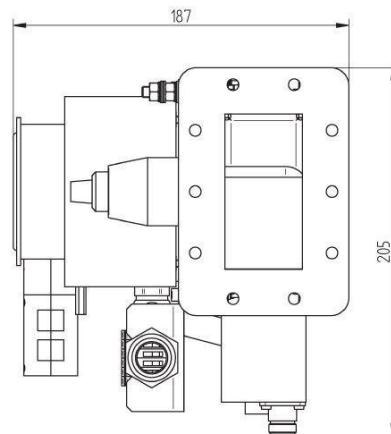


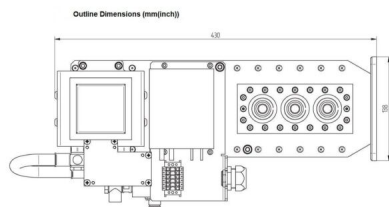
MAGNETRONKOPF - MH2000F-252BV

Categories:

Outline Dimensions (mm(inch))



BILDERGALERIE



ZUSÄTZLICHE INFORMATIONEN

Art	
Frequenz [MHz]	2450
CW [W]	2000
	1 v 2 ~ (L / N v L2 / PE)
[V]	24
[Hz]	DC
[W]	-
(HMI)	-
[mm ()]	205 (8,07)
[mm ()]	187 (7,36)
[mm ()]	490 (19,29)
	IP00
	WR340 / R26