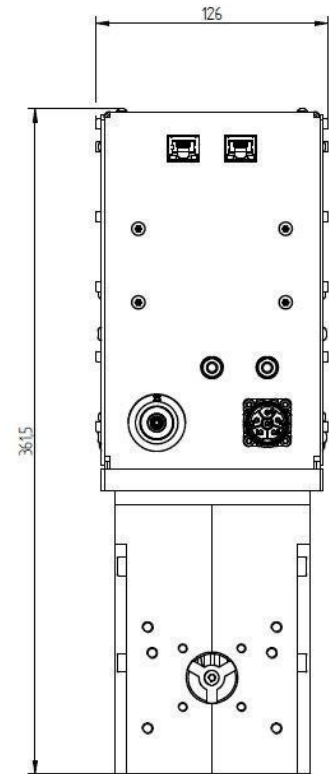


Outline Dimensions (mm(inch))

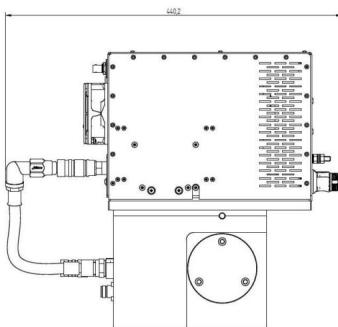
MAGNETRONKOPF - MH2000S-251BF

Categories:



BILDERGALERIE

Outline Dimensions (mm(inch))



ZUSÄTZLICHE INFORMATIONEN

Art	
Frequenz [MHz]	2450
CW [W]	2000
	1~ (L / N / PE)
[V]	24
[Hz]	DC
	/
[W]	4000
(HMI)	
	IP20
	8 / 26
	Koaxialleiter