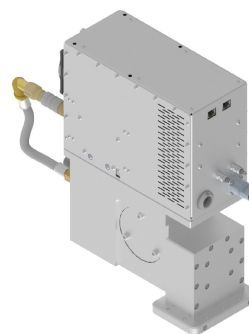


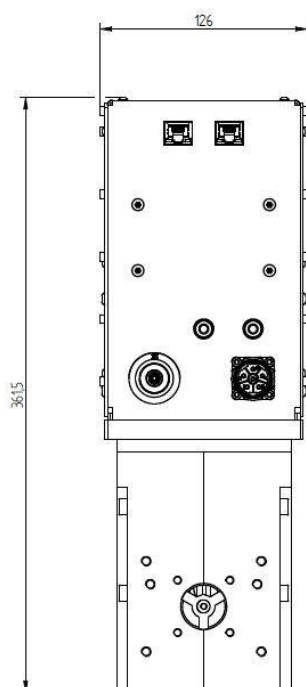
MAGNETRONKOPF - MH3000S-251BF

Categories:

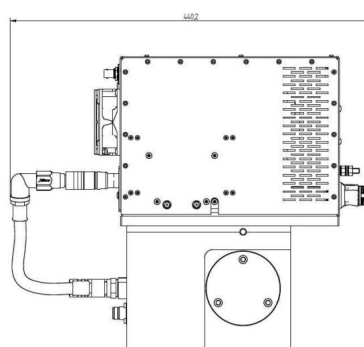


BILDERGALERIE

Outline Dimensions (mm(inch))



Outline Dimensions (mm(inch))



ZUSÄTZLICHE INFORMATIONEN

Art	
Frequenz [MHz]	2450
CW [W]	3000
	1~ (L / N / PE)
[V]	24
[Hz]	DC
	/
[W]	6000
(HMI)	
[mm ()]	126 (4,96)
[mm ()]	362 (14,25)
[mm ()]	441 (17,36)
	IP20
	8 / 26
	Koaxialleiter