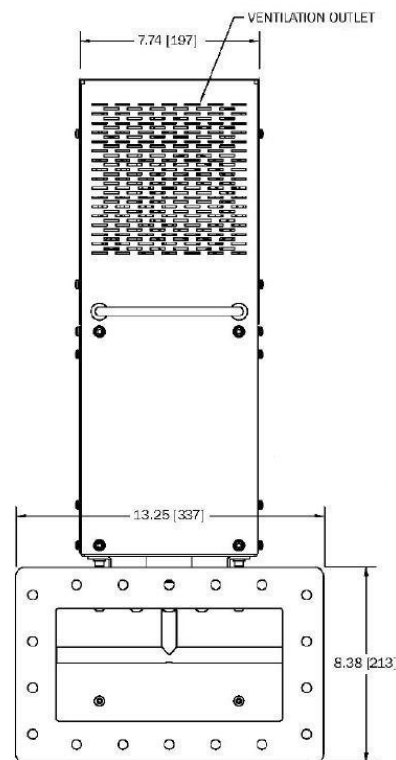


MAGNETRONKOPF - MH5000S-510DL

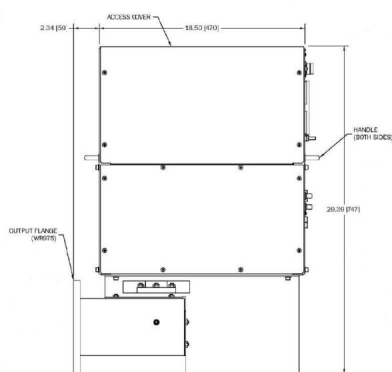
Categories:

Outline Dimensions (mm(inch))

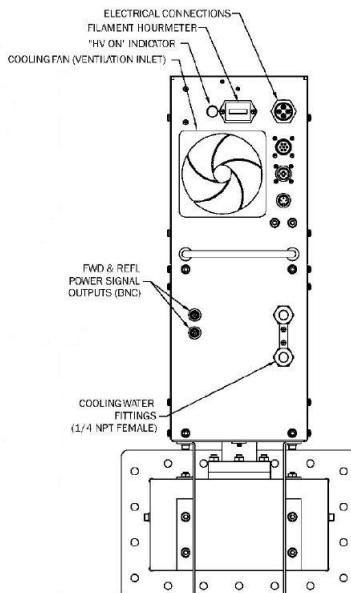


BILDERGALERIE

Outline Dimensions (mm(inch))



Outline Dimensions (mm(inch))



ZUSÄTZLICHE INFORMATIONEN

Art	
Frequenz [MHz]	915
CW [W]	5000
	2~ (L1 / L2 / PE)
[V]	-
[Hz]	-
	/
[W]	-
(HMI)	
[mm ()]	337 (13,27)
[mm ()]	1041 (40,98)
[mm ()]	676 (26,61)
	IP20
	WR975 / R9