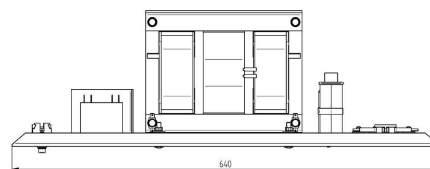


STROMVERSORGUNG (LC-STABILISIERT) - MC2000B-113AB

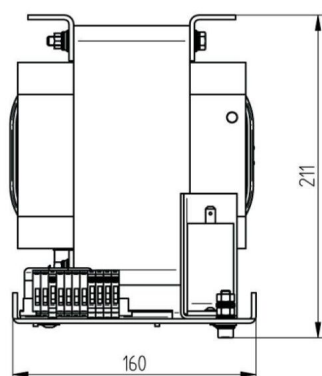
Categories:

Outline Dimensions (mm(inch))



BILDERGALERIE

Outline Dimensions (mm(inch))



ZUSÄTZLICHE INFORMATIONEN

Art	
Frequenz [MHz]	2450
CW [W]	2000
	1~ (L/N/PE)
	+/-
[V]	230
[V]	24
[Hz]	50
[W]	-
(HMI)	
	-
2	-
3	-
4	-
5	-
[mm ()]	160 (6,30)
[mm ()]	210 (8,27)
[mm ()]	640 (25,20)
	IPO0
	LC-