

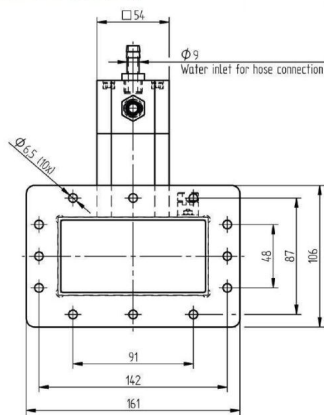
WASSERLAST - MW1021E-230DF

Categories:

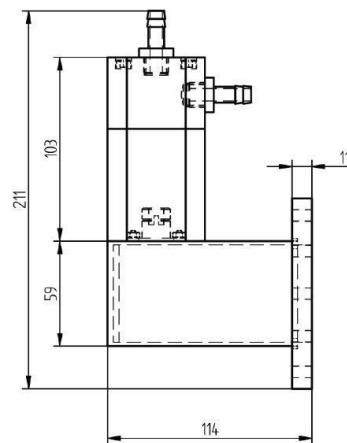


BILDERGALERIE

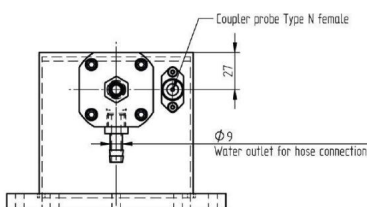
Outline Dimensions (mm(inch))



Outline Dimensions (mm(inch))



Outline Dimensions (mm(inch))



ZUSÄTZLICHE INFORMATIONEN

Frequenz [MHz]	2450
CW [W]	15000
	WR430 / R22
	UDR