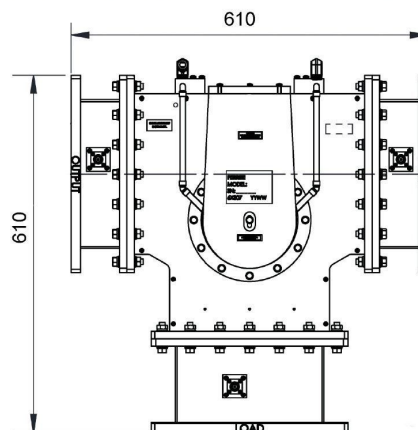


# ZIRKULATOR - MW1001B-260CC

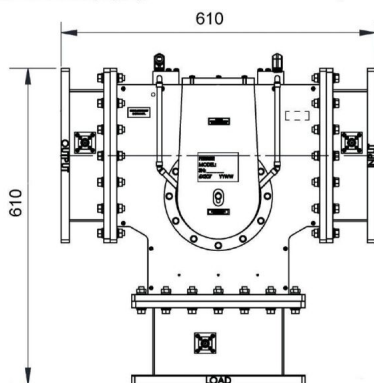
Categories:

Outline Dimensions (mm(inch))

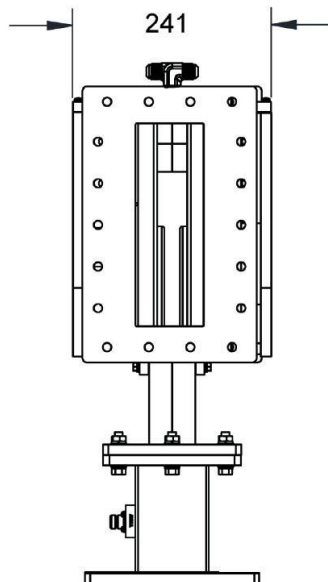


## BILDERGALERIE

Outline Dimensions (mm(inch))



Outline Dimensions (mm(inch))



**ZUSÄTZLICHE INFORMATIONEN**

|                       |            |
|-----------------------|------------|
| <b>Frequenz [MHz]</b> | 915        |
| <b>CW [W]</b>         | 100000     |
|                       | WR975 / R9 |
|                       | UDR        |