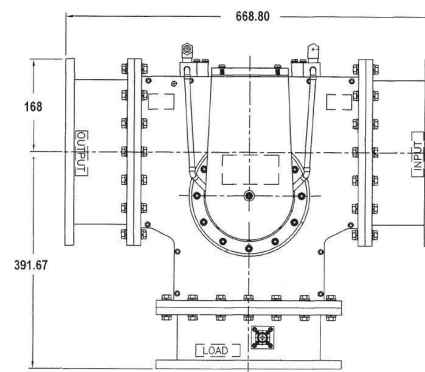


ZIRKULATOR - MW1002B-260CC

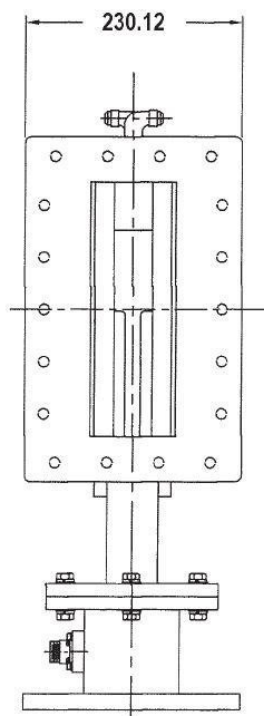
Categories:

Outline Dimensions (mm(inch))



BILDERGALERIE

Outline Dimensions (mm(inch))



ZUSÄTZLICHE INFORMATIONEN

Frequenz [MHz]	896
CW [W]	100000
	WR975 / R9
	UDR