

Basic 3-Stub Tuner

GERLING

Model GA1004
Model GA1005
Model GA1006

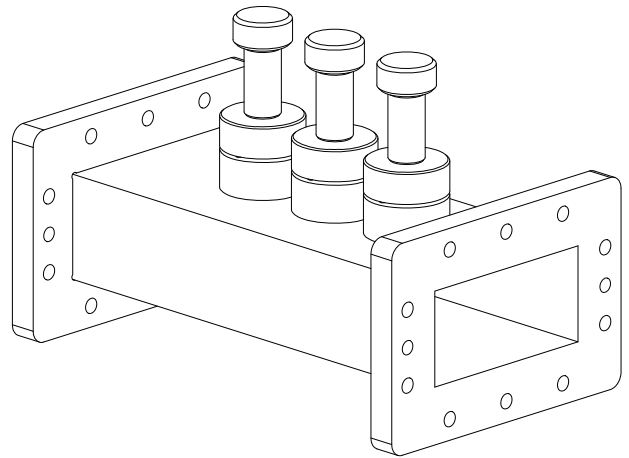
GAE's family of Basic 3-Stub Tuners provide an economical means for load impedance matching in high power microwave heating systems. Their simple yet rugged design makes these tuners ideal for a variety of production and OEM applications.

The stubs on all three models are spaced at 1/4-guide wavelength intervals and offset 1/16-guide wavelength from center. These offset configurations are capable of tuning a broader range of impedances than standard tuners having no stub position offset.

The threaded stub mounts are spring-loaded to maintain secure thread engagement at all times, enabling stub adjustment during high power operation. This design is ideal for applications in which impedance tuning is performed during initial system setup. For applications requiring repeated stub adjustments or the heating of low loss (high "Q") loads, GAE's "Precision" family of 3-stub tuners or E-H tuners may be preferred to the Basic models.

General Specifications:

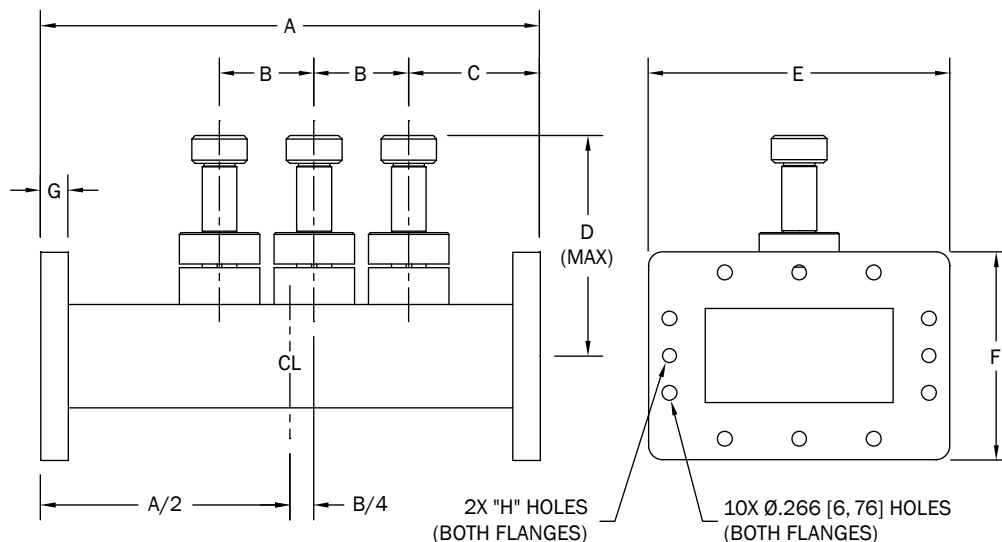
Waveguide	WR284 (GA1004) WR340 (GA1005) WR430 (GA1006)
Flange	UG1725/U (GA1004) UG1713/U (GA1005) UG1711/U (GA1006)
Frequency	2450 MHz +/- 50 MHz
Power (continuous)	3 kW (GA1004) 6 kW (GA1005) 10 kW (GA1006)
Impedance Matching	3 manually adjusted stubs
Construction	Dip brazed aluminum waveguide, brass stubs
Finish	Chemical conversion coating on waveguide, textured black paint



Model GA1005

Options:

- ◆ Heli-Coils or studs on flanges (any combination)
- ◆ Round flanges with taper for quick-disconnect clamp (GA1004 and GA1005 only)
- ◆ Flange interlock switches
- ◆ Water cooling



DIM	GA1004	GA1005	GA1006
A	9.00 [229]	9.00 [229]	9.00 [229]
B	2.27 [58]	1.71 [43]	1.45 [37]
C	1.66 [42]	2.37 [60]	2.68 [68]
D*	3.67 [93]	3.85 [98]	4.08 [104]
E	4.50 [114]	5.44 [138]	6.34 [161]
F	3.00 [76]	3.75 [95]	4.19 [106]
G	.38 [9,6]	.44 [11,2]	.44 [11,2]
H	NONE	.250 [6,35]	.250 [6,35]

* ADD 1.20 [30] FOR ENHANCED MODELS.



GERLING APPLIED ENGINEERING, INC.

© 2003-2013 Gerling Applied Engineering, Inc.
 PO Box 580816 • Modesto, CA 95358 • USA
 Phone: +1-209-527-8960 • Fax: +1-209-527-5385
 E-mail: sales@2450MHz.com • Web: www.2450MHz.com