

# Precision 3-Stub Tuner, WR284

GERLING

## Model GA1009

GAE's family of Precision 3-Stub Tuners are designed for load impedance matching in high power microwave heating systems. Their simple yet rugged design makes these tuners ideal for a variety of laboratory, production and OEM applications.

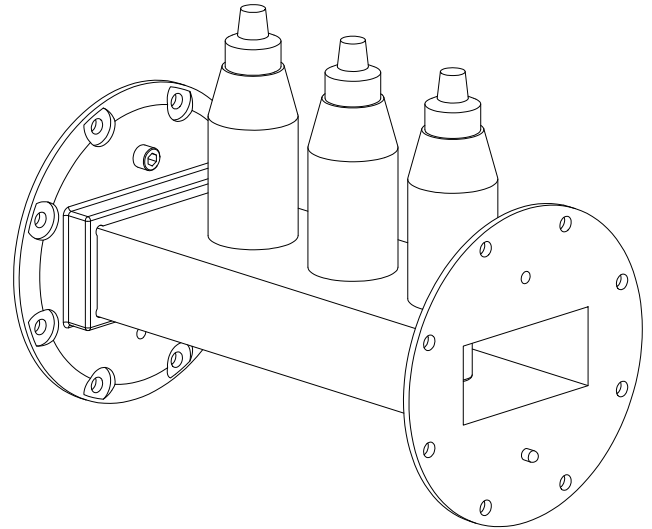
The stubs are spaced at 1/4 guide wavelength intervals and offset 1/16 guide wavelength from center. This configuration is capable of tuning a broader range of impedances than standard tuners having no offset.

A precision drive mechanism and locking multi-turn dial are provided on each tuning stub enabling highly accurate and repeatable tuning. The stub housings are designed with 1/4-wave reactive chokes allowing use in high "Q" applications.

Model GA1009 also features the popular WR284 Q-D (quick-disconnect) round flange that uses the convenient single screw clamp (model GA8410) for waveguide connections.

### General Specifications:

Waveguide	WR284
Flange	UG584/U
Frequency	2450 MHz +/- 50 MHz
Power (continuous)	3 kW
Impedance Matching	3 stubs with 1/4-wave chokes on 1/4 guide wavelength spacing
Construction	Aluminum waveguide and stubs
Finish	Chemical conversion coating; textured black paint

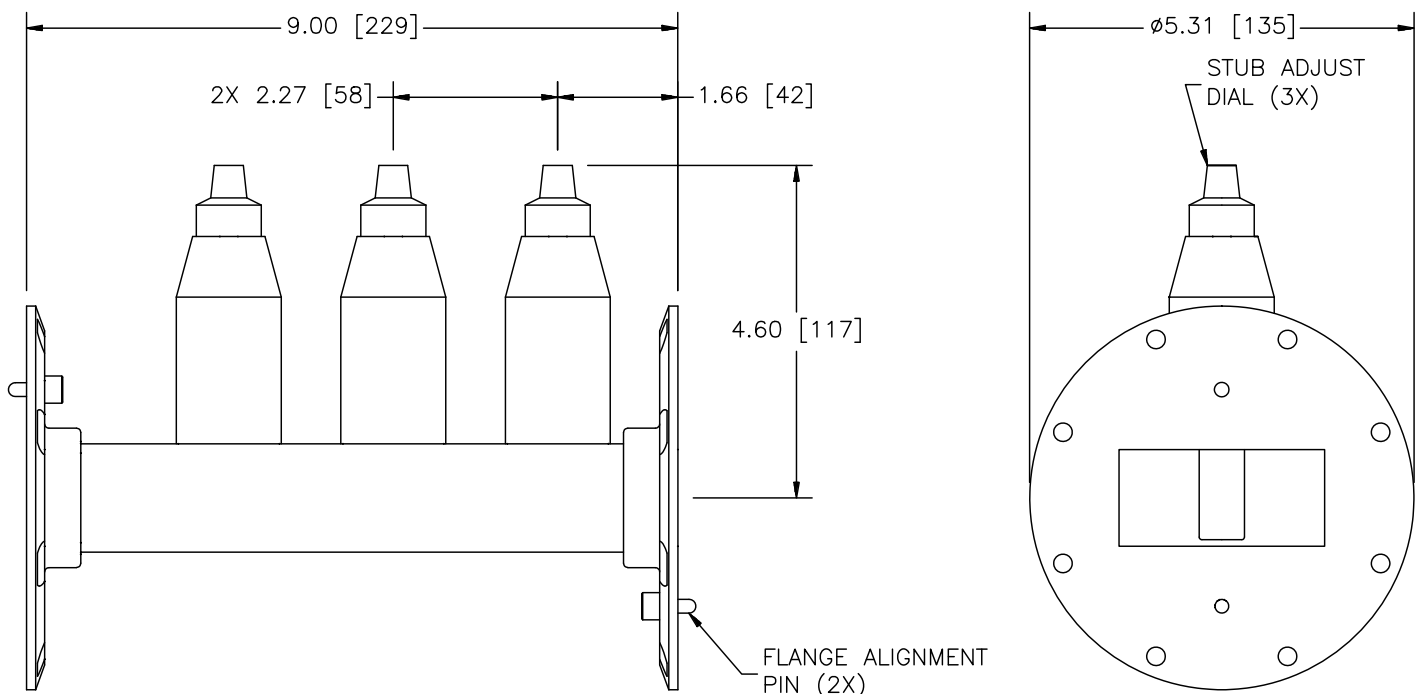


### Options:

- ◆ Flange interlock switches
- ◆ Water cooling

### Accessories:

- ◆ GA8410 quick-release flange clamp



GERLING APPLIED  
ENGINEERING, INC.

© 2005-2012 Gerling Applied Engineering, Inc.  
PO Box 580816 • Modesto, CA 95358 • USA  
Phone: +1-209-527-8960 • Fax: +1-209-527-5385  
E-mail: sales@2450MHz.com • Web: www.2450MHz.com