

# Basic Single Stub Tuner

GERLING

**Model GA1023**  
**Model GA1024**  
**Model GA1025**

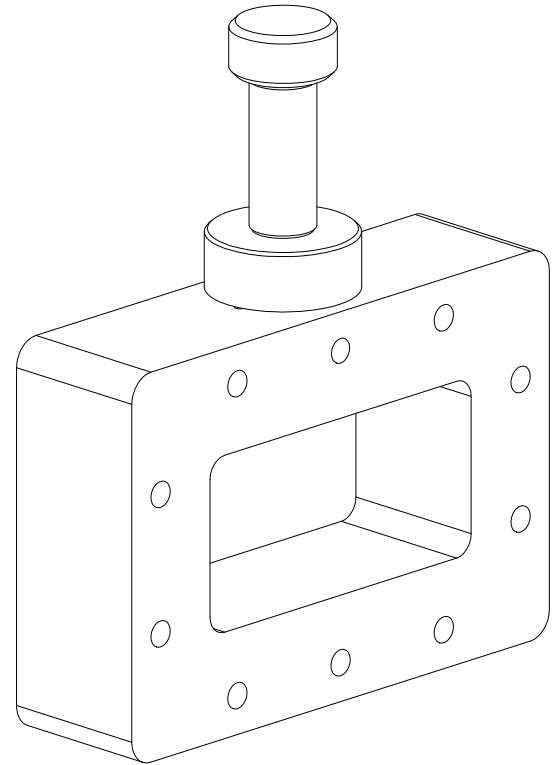
GAE's family of Basic Stub Tuners provide an economical means for load impedance matching in high power microwave heating systems. Their simple yet rugged design makes these tuners ideal for a variety of production and OEM applications.

The Basic models have threaded stub mounts and spring-loaded nuts which maintain secure thread engagement at all times, enabling stub adjustment during microwave power operation. These are intended mainly for low-Q applications or where adjustments are infrequent. For high-Q applications or where impedance matching adjustments are frequent we recommend our Precision series of waveguide stub tuners.

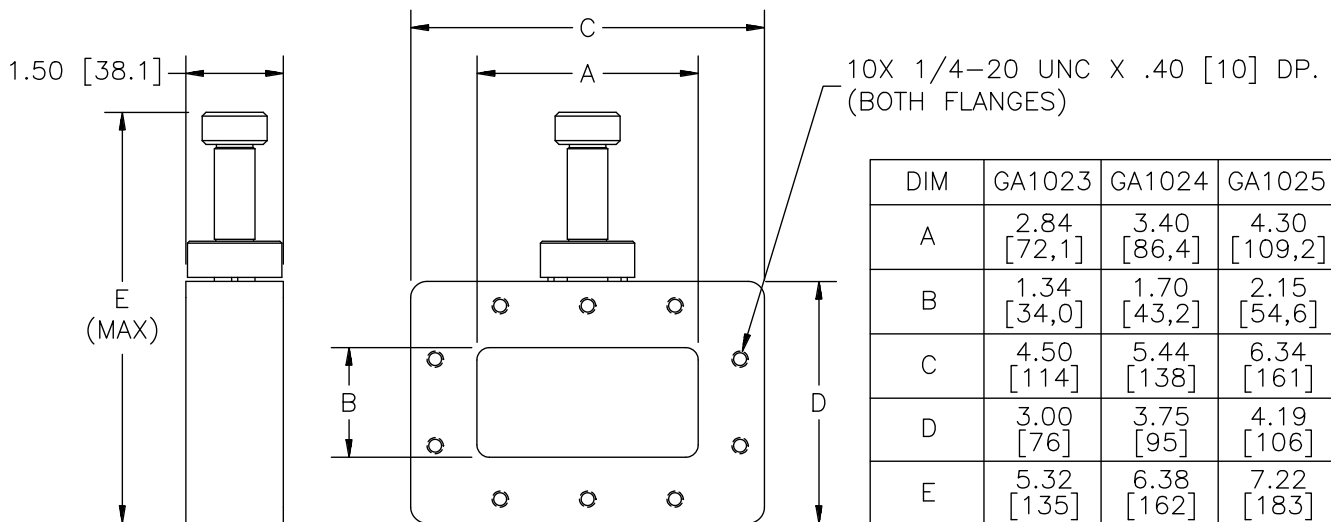
Single stub tuners are a convenient and low cost option for applications in which the ideal impedance matching stub location is predetermined, or as a tool during product development to help find the ideal location.

**General Specifications:**

Waveguide	GA1023: WR284 GA1024: WR340 GA1025: WR430
Flange	GA1023: UG1725/U GA1024: UG1713/U GA1025: UG1711/U (all with 1/4-20 UNC tapped holes)
Frequency	2450 MHz +/- 50 MHz nominal
Power (continuous)	GA1023: 3 kW GA1024: 6 kW GA1025: 10 kW
Construction	Aluminum waveguide, brass stubs
Finish	Chemical conversion coating (waveguide)



**Model GA1024**



**GERLING APPLIED  
ENGINEERING, INC.**

All dimensions are in inches [millimeters].

© 2010-2012 Gerling Applied Engineering, Inc.  
 PO Box 580816 • Modesto, CA 95358 • USA  
 Phone: +1-209-527-8960 • Fax: +1-209-527-5385  
 E-mail: sales@2450MHz.com • Web: www.2450MHz.com

Updated 13JUN12