

2-Port Isolator, 3kW, CPR284

GERLING

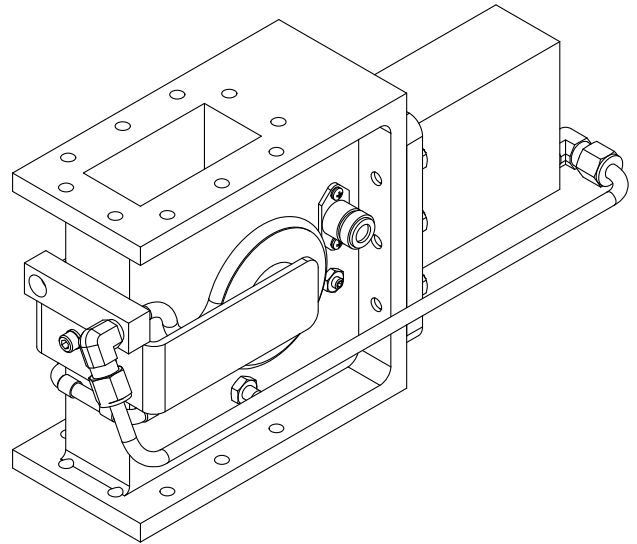
Model GA1114

The model GA1114 2-port isolator is designed for high power industrial heating applications requiring high reliability and rugged construction. This isolator is most often used for protecting magnetrons from the damaging effects of reverse microwave power. It is designed for continuous forward microwave power and will withstand a full reflection under continuous duty. A calibrated coupler port is provided for monitoring and reverse power entering port 2.

Construction of the GA1114 is all aluminum waveguide. Reverse power is absorbed directly into water flowing through an internal microwave transparent insert. All other water lines and fittings are copper or brass to minimize corrosion due to harsh cooling water supplies.

General Specifications:

Frequency	2450 MHz nominal
Input Power	GA1114: 3 kW continuous max. (fwd and rev)
Waveguide	WR284 (RG75/U)
Flanges	CPR284 (UG1725/U) with 1/4-20 tapped holes
Input VSWR	1.2 max. (Port 1)
Insertion Loss	0.150 dB max. (Port 1 to Port 2)
Isolation	20 dB min. (Port 2 to Port 1)
Coupler Probe	Type N female
Coupler Calibration	60 +/- 1 dB
Water Connections	1/4 NPT female threads
Water Flow	1.0 gpm (3.8 lpm) nominal, 70 psig (483 kPa) max. inlet pressure, 10-40°C inlet temp (must be above dew point), 50°C max. outlet temp
Construction	Aluminum body, brass water connections
Finish	Clear conversion coating, Black paint (dummy load only)

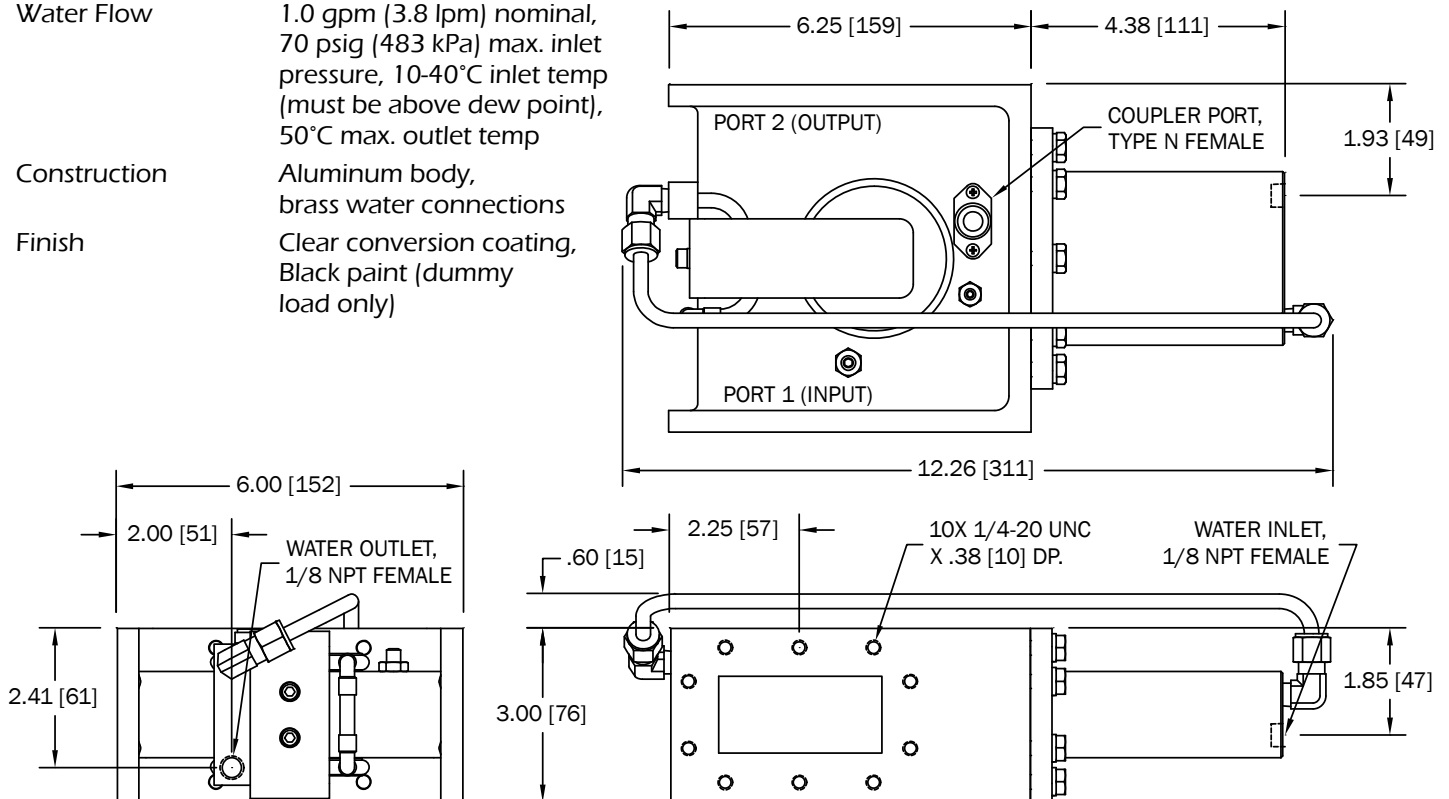


Options:

- ◆ Flange interlock switch (any flange)
- ◆ Flange mounting studs
- ◆ Alternate probe coupling factor

Accessories:

- ◆ GA3208/9 Power Meter Set
- ◆ GA3301 Coupler Power Interface



GERLING APPLIED
ENGINEERING, INC.

© 2011-2014 Gerling Applied Engineering, Inc.
PO Box 580816 • Modesto, CA 95358 • USA
Phone: +1-209-527-8960 • Fax: +1-209-527-5385
E-mail: sales@2450MHz.com • Web: www.2450MHz.com