

3-Port Circulator, WR340, 1.2kW

GERLING

Model GA1122

The model GA1122 is a waveguide 3-port circulator designed for high power industrial heating applications requiring high reliability and rugged construction. These circulators are most often used with dummy loads in an isolator configuration for magnetron protection, but they are also useful for other purposes in conjunction with devices such as phase shifters and variable attenuators.

Construction of the GA1122 is all aluminum waveguide. Corrosion due to harsh cooling water supplies is minimized using all copper water lines and brass fittings.

General Specifications:

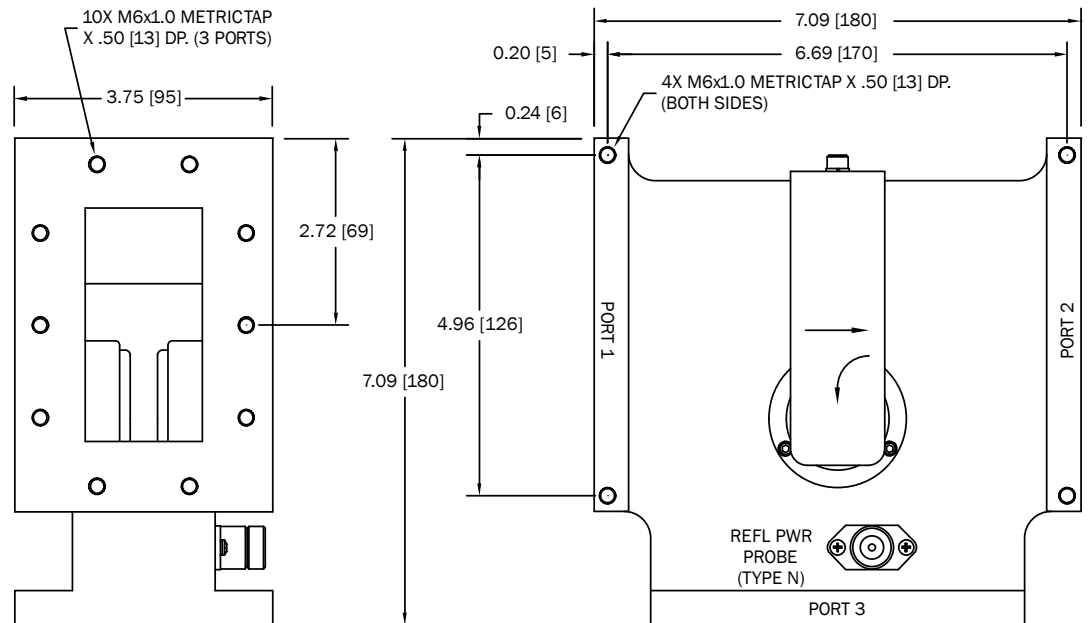
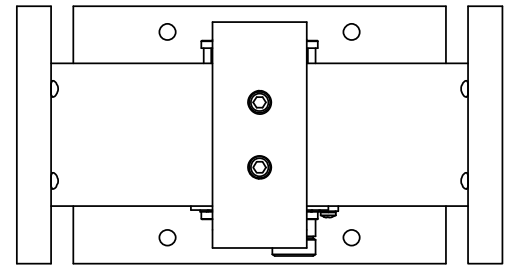
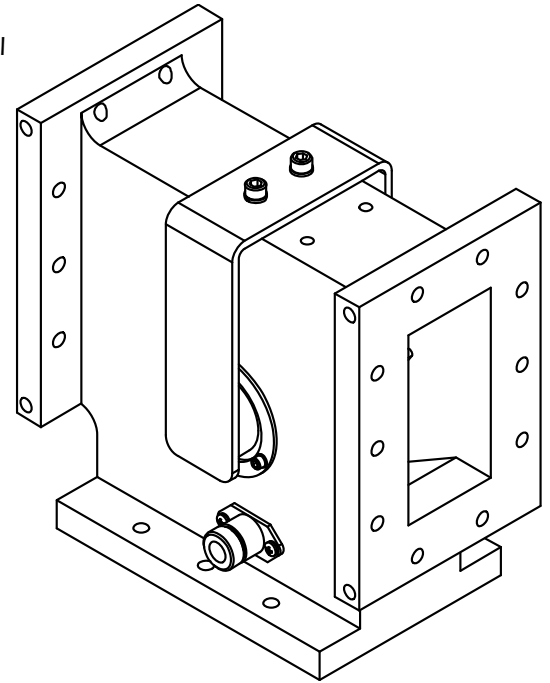
Frequency	2450 MHz nominal
Input Power	1.2 kW continuous max. (fwd and rev)
Waveguide	WR340 (RG113/U)
Flanges	WR340 (UG1713/U) with M6 tapped holes
Input VSWR	1.2 max. (Port 1)
Insertion Loss	0.20 dB max. (Port 1 to Port 2)
Isolation	20 dB min. (Port 2 to Port 1)
Coupler Probe	Type N female (optional)
Coupler Calibration	50 +/- 1 dB
Construction	Aluminum body
Finish	Clear chemical film

Options:

- ◆ Flange interlock switch (any flange)
- ◆ Flange mounting studs
- ◆ Coupler probes (see table)

Accessories:

- ◆ GA3208/9 Power Meter Set
- ◆ GA3301 Coupler Power Interface



MODEL NUMBERTABLE	
MODEL NO.	DESCRIPTION
GA1122	WITHOUT COUPLER PROBE
GA1122-1	WITH REFL POWER PROBE



GERLING APPLIED ENGINEERING, INC.

© 2013 Gerling Applied Engineering, Inc.
 PO Box 580816 • Modesto, CA 95358 • USA
 Phone: +1-209-527-8960 • Fax: +1-209-527-5385
 E-mail: sales@2450MHz.com • Web: www.2450MHz.com